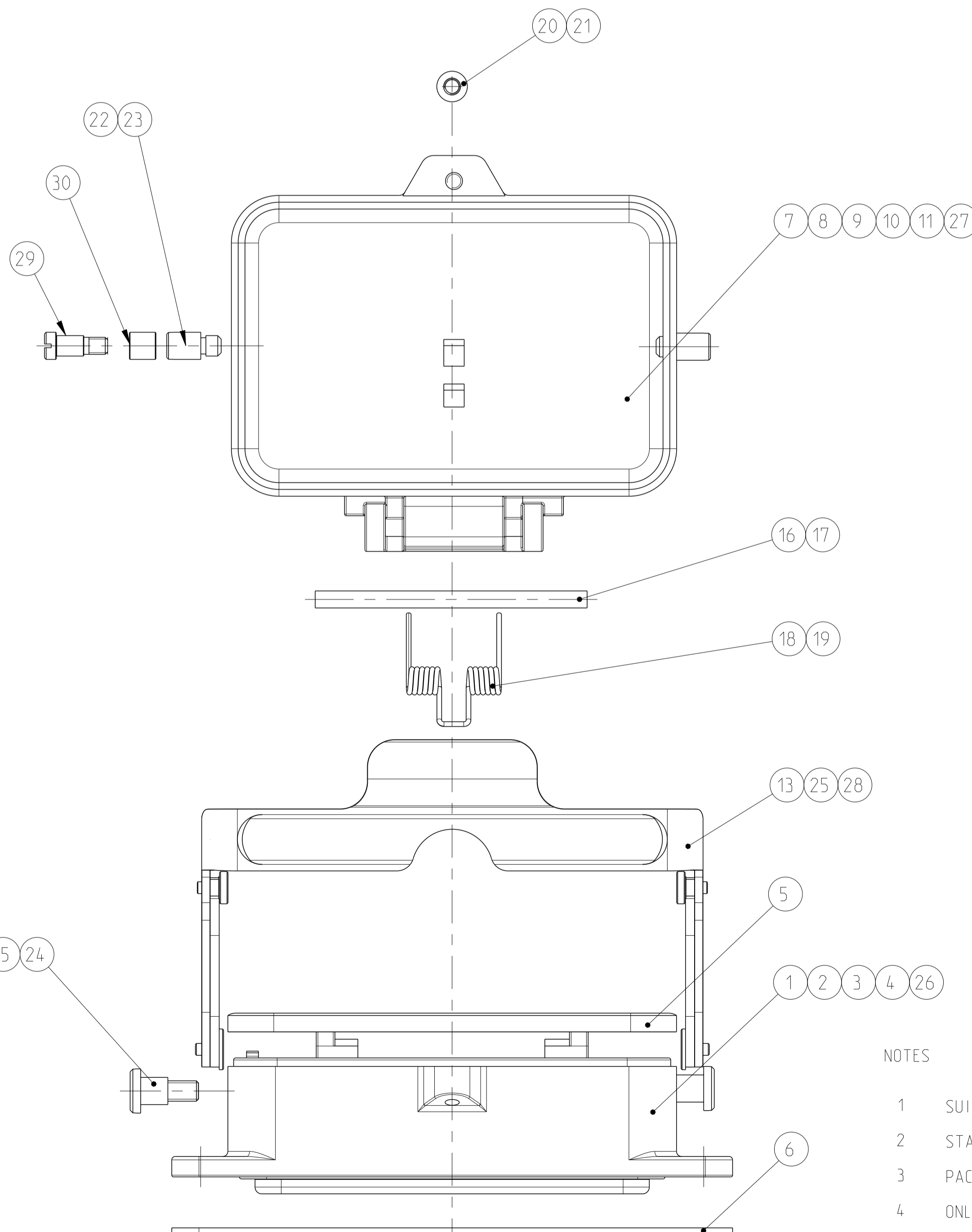
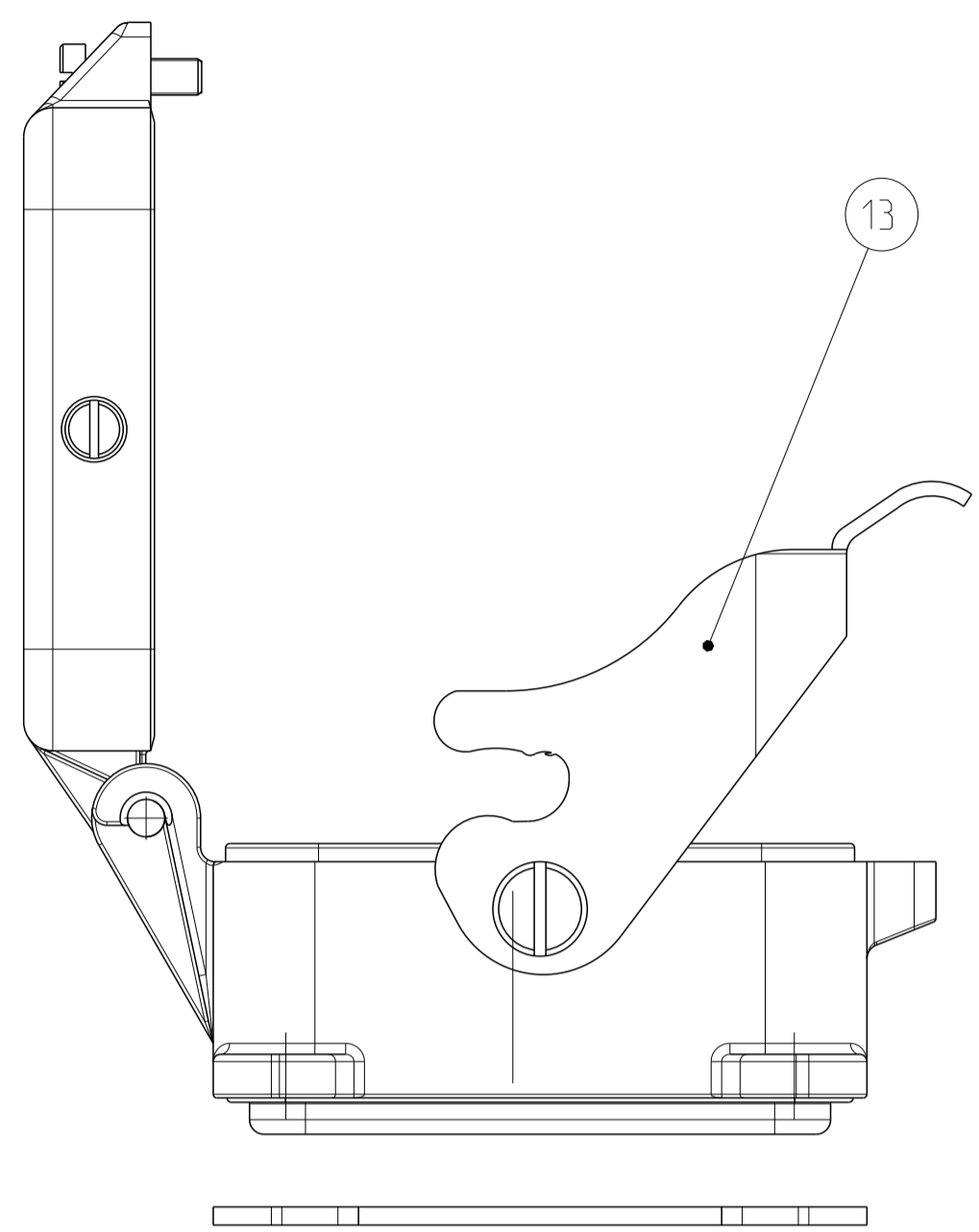
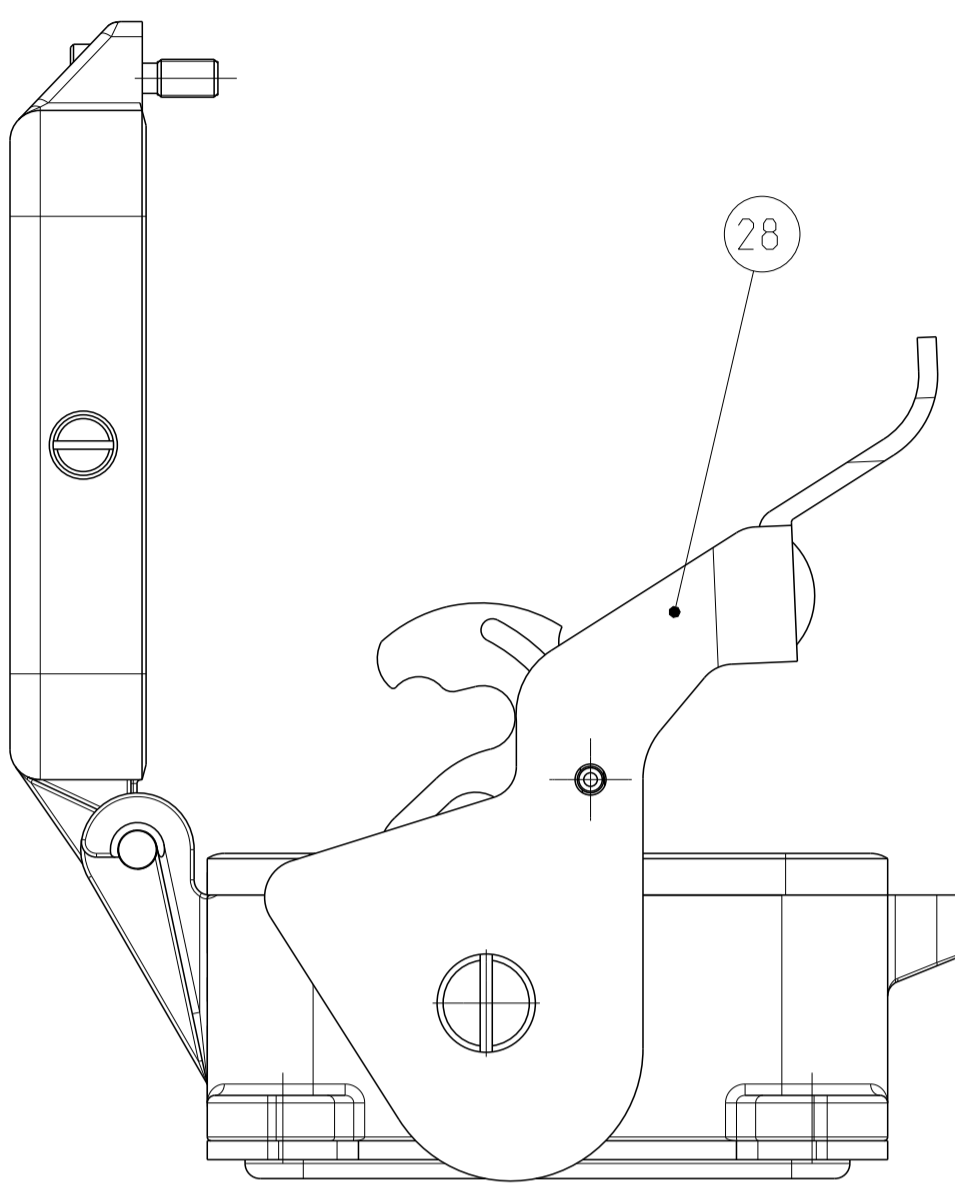
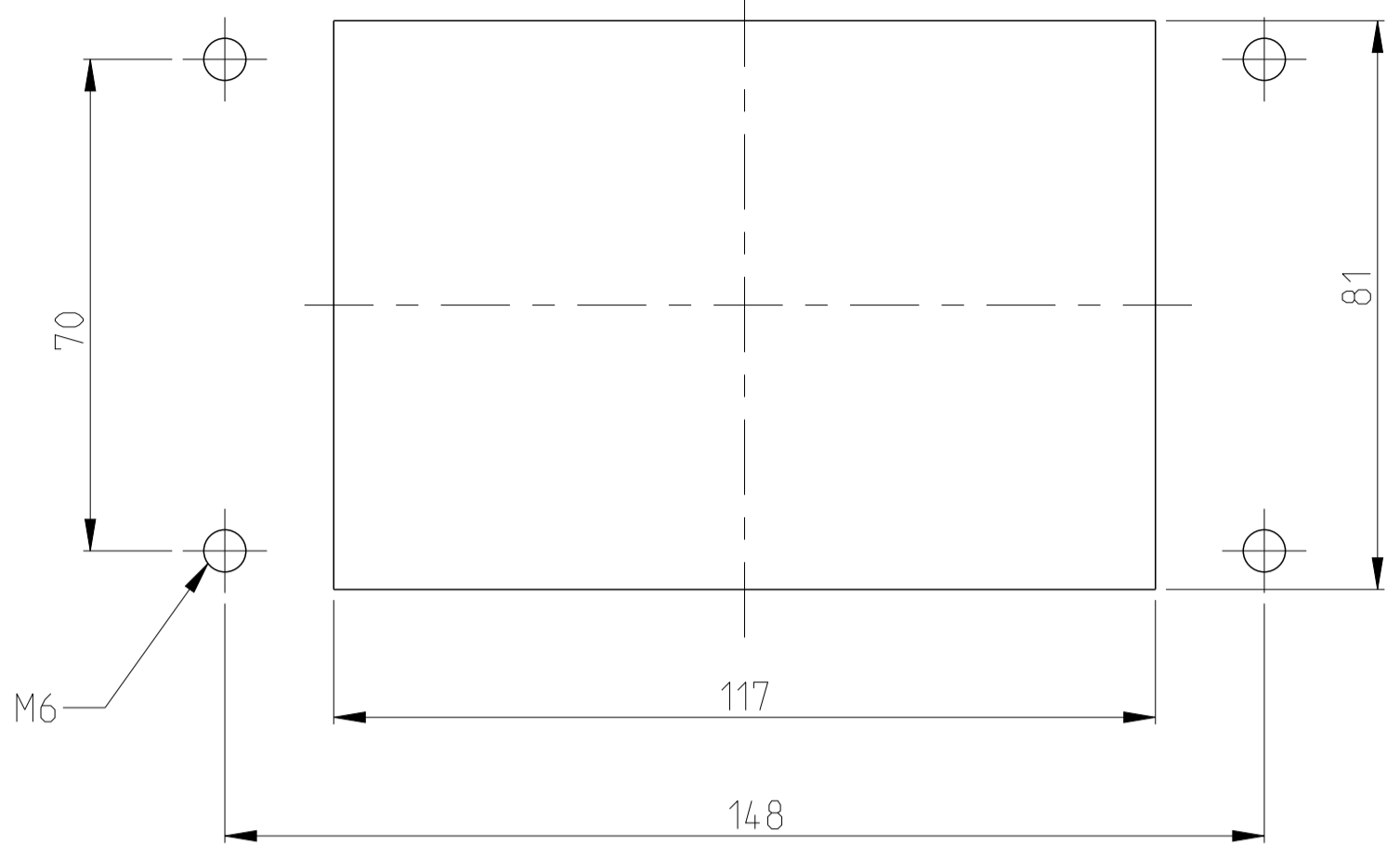


REVISIONS					
P	LTN	DESCRIPTION	DATE	DWN	APVD
B5		PN 29 and 30 added ECR-08-029639	25NOV2008	SR	PF
B6		table changed ECR-09-005558	10MAR2009	SR	AR
C1		ECR-16-015318	17AUG2017	GR	MKO

PANEL CUT-OUT



- NOTES
- SUITABLE HOOD: SERIES HB.48
 - STANDARD: DIN EN 61984, DIN EN 60664-1
 - PACKAGING: QUANTITY 3 PIECES
 - ONLY FOR PN 0-2: SURFACE MOUNTED HOUSING WITHOUT HTS-LOGO
 - VARNISHING INSIDE HOUSING NOT REQUIRED

QTY	QTY	QTY	QTY	QTY	QTY	QTY	QTY	QTY	QTY	QTY	QTY	QTY	QTY	QTY	DESCRIPTION	MATERIAL	SURFACE	COLOR	ITEM	NOTES
2															SLIDE SPOOL HB.48	X6CrMoS17	BLANC		30	
2															CLIP BOLT	STAINLESS STEEL	BLANC		29	M5
1															SIDE CLIP STÄUBLI	STAINLESS STEEL	BLANC		28	
1															COVER	ALUMINIUM		GREY	27	NEUTRAL, M5 - THREAD
1															SURFACE MOUNTED HOUSING BOTTOM ENTRY	ALUMINIUM		GREY	26	NEUTRAL, MILLED (B5)
		1	1												SIDE CLIP	STEEL	ZINK PLATED	BLUE	25	PURCHASED PART FA. WALTER
		2	2												CROSS RECES PAN HEAD SCREW	STEEL	ZINK PLATED	BLUE	24	M6x8.4
															CLIP BOLT	STAINLESS STEEL	BLANC		23	
(B5)	2														CLIP BOLT	STEEL	ZINK PLATED	BLUE	22	
	1														CYLINDER SCREW	STAINLESS STEEL	BLANC		21	M5x16
			1	1											CYLINDER SCREW	STEEL	ZINK PLATED	BLUE	20	M5x16
	1														LEG SPRING	STAINLESS STEEL	BLANC		19	
	1	1	1	1											LEG SPRING	STEEL	ZINK PLATED	BLUE	18	
	1														RIVET PIN	STAINLESS STEEL	BLANC		17	5x80
	1	1	1	1											RIVET PIN	STEEL	ZINK PLATED	BLUE	16	5x80
	2	2													CROSS RECES PAN HEAD SCREW	STAINLESS STEEL	BLANC		15	M6x8
SUPERSEDED															SIDE CLIP	STEEL	ZINK PLATED	BLUE	14	SONDER
SUPERSEDED	1														SIDE CLIP	STAINLESS STEEL	BLANC		13	
															SIDE CLIP	STEEL	ZINK PLATED	BLUE	12	
	1														COVER	ALUMINIUM		WITHOUT VARNISH	11	
	1														COVER	ALUMINIUM		GREY	10	BOLT OF THE COVER
															COVER	ALUMINIUM		GREY	9	NEUTRAL
															COVER	ALUMINIUM	ALUMINIUM OXID	BLACK	8	
															COVER	ALUMINIUM		GREY	7	
1	1	1	1	1	1	1	1								FLANGE SEAL	NEOPRENE		BLACK	6	
1	1	1	1	1	1	1	1								PROFIL SEAL	NEOPRENE		BLACK	5	
															SURFACE MOUNTED HOUSING BOTTOM ENTRY	ALUMINIUM		WITHOUT VARNISH	4	
															SURFACE MOUNTED HOUSING BOTTOM ENTRY	ALUMINIUM		GREY	3	NEUTRAL/EJECTOR COUNTERSANK
															SURFACE MOUNTED HOUSING BOTTOM ENTRY	ALUMINIUM	ALUMINIUM OXID	BLACK	2	
															SURFACE MOUNTED HOUSING BOTTOM ENTRY	ALUMINIUM		GREY	1	

Mouser Electronics

Authorized Distributor

Click to View Pricing, Inventory, Delivery & Lifecycle Information:

[TE Connectivity:](#)

[1-1102389-2](#)