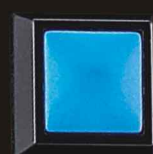
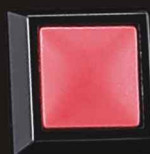
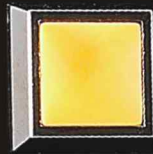
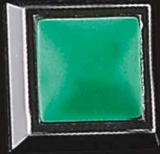
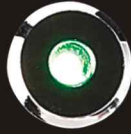


**ONPOW**



**GQ Series**

## Part-number Description >>

GQ	★	■	- □	◇	/ ◆	/ △	/ ▲	/ ◎
Code of series	Mounting hole 8 Φ8mm 12 Φ12mm 16 Φ16mm 19 Φ19mm	The Front shape B Domed F Flat Round H High Round M Doorbell Push Button S Square  <i>Note: Square type is just for GQ12</i>	Contact structure 10 1NO	Lamp type D Dot E Ring	Connect type J Pin terminal  No letter means screw terminal	Lamp color and colorized button R Red G Green Y Yellow O Orange B Blue W White N Black	Lamp voltage AC/DC 6V AC/DC 12V AC/DC 24V AC/DC 36V  <i>Note: Other voltage can be made to order</i>	The crust material N Nickel-plated Brass G Gold-plated Brass S Stainless steel A Zn-Al alloy (black) T Zn-Al (silvery white) PC Engineering plastic

**Note:** 1、Pls read the catalog carefully, and choose the right part-number according to the sign.  
2、Φ16(NC) and Φ19(NC) can be made to order for the screw terminal type.

## Lamp Ratings >>

Lamp Type	LED lamp(AC/DC)				Lamp Circuit diagram
Rated Voltage	AC/DC6V	AC/DC12V	AC/DC6V	AC/DC12V	
Rated Current	About 15mA				
LED Color	<span style="color:red">R</span> <span style="color:green">G</span> <span style="color:yellow">Y</span> <span style="color:orange">O</span> <span style="color:blue">B</span> <span style="color:white">W</span>				
Life	40000 hours(Reference)				

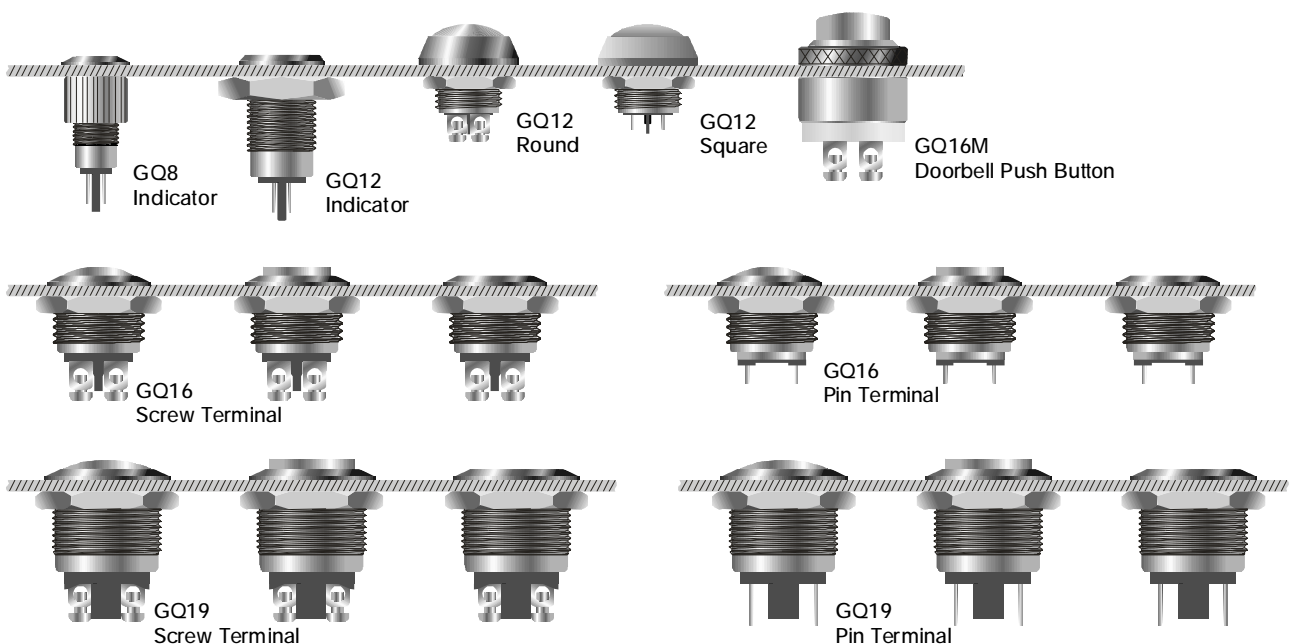
Using AC/DC LED lamp, the terminals have no difference of anode and cathode: Using inner resistance, do not need connect outer resistance. *GQ16 haven't inner resistance, need connect outer resistance.*

**Note:** DC LED and other voltage can be made to order.

## Switching Operation >>

Type	Sign	Diagram	Explanation
X			Using two terminals, double-break and slow-motion contact. <i>Y type NC switch can be made to order for individual product, pls check the product description.</i>
Y			

## Installation Effect >>

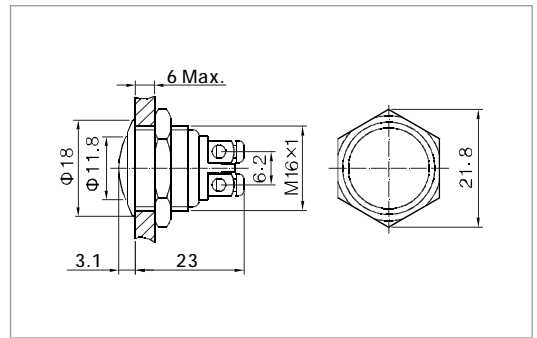


## Anti-vandal push button



GQ16B-10/0

- ⊙  $\Phi$  16mm Diameter
- ⊙ Switch Rating: 2A/36VDC
- ⊙ Contact Configuration: 1NO(1NC Made to order)
- ⊙ Operation Type: Momentary
- ⊙ The Front Shape: Domed
- ⊙ The Crust Material: Stainless Steel/ Brass(Nickel plated, Gold plated)
- ⊙ IP Degree: IP65,IK08

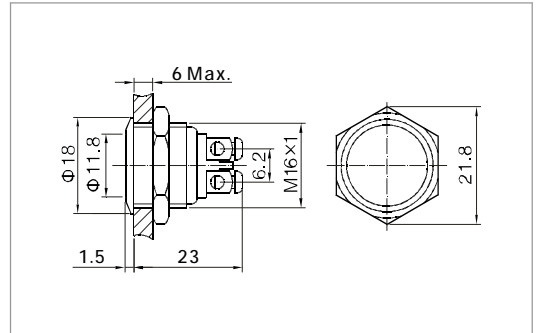


## Anti-vandal push button



GQ16F-10/0

- ⊙  $\Phi$  16mm Diameter
- ⊙ Switch Rating: 2A/36VDC
- ⊙ Contact Configuration: 1NO(1NC Made to order)
- ⊙ Operation Type: Momentary
- ⊙ The Front Shape: Flat Round
- ⊙ The Crust Material: Stainless Steel/ Brass(Nickel plated, Gold plated)
- ⊙ IP Degree: IP65,IK08

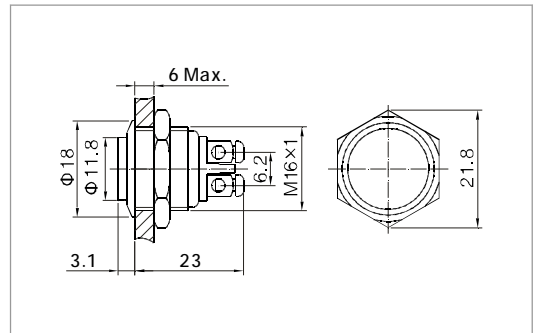


## Anti-vandal push button



GQ16H-10/0

- ⊙  $\Phi$  16mm Diameter
- ⊙ Switch Rating: 2A/36VDC
- ⊙ Contact Configuration: 1NO(1NC Made to order)
- ⊙ Operation Type: Momentary
- ⊙ The Front Shape: High Round
- ⊙ The Crust Material: Stainless Steel/ Brass(Nickel plated, Gold plated)
- ⊙ IP Degree: IP65,IK08



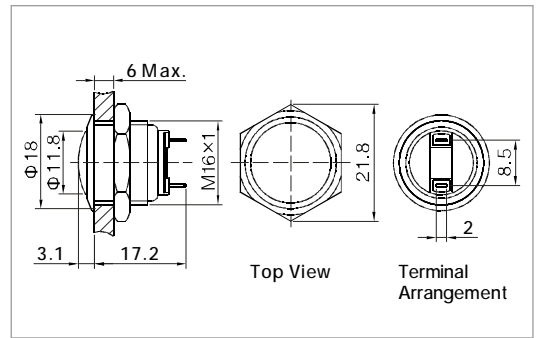
Specification	GQ16B-10/0	GQ16F-10/0	GQ16H-10/0	
The Front Shape	Domed	Flat Round	High Round	
Terminal Type	Screw Terminal	Screw Terminal	Screw Terminal	
Switching	X(double-break slow-motion contact)	X(double-break slow-motion contact)	X(double-break slow-motion contact)	
Max.Switch Rating	2A/36VDC	2A/36VDC	2A/36VDC	
Contact Resistance	$\leq 50\text{m}\Omega$	$\leq 50\text{m}\Omega$	$\leq 50\text{m}\Omega$	
Insulation Resistance	$\geq 1000\text{M}\Omega$	$\geq 1000\text{M}\Omega$	$\geq 1000\text{M}\Omega$	
Dielectric Intensity	2000VAC	2000VAC	2000VAC	
Operating Temp	$-20^{\circ}\text{C} \sim +55^{\circ}\text{C}$	$-20^{\circ}\text{C} \sim +55^{\circ}\text{C}$	$-20^{\circ}\text{C} \sim +55^{\circ}\text{C}$	
Mechanical Life	1,000,000 cycles	1,000,000 cycles	1,000,000 cycles	
Electrical Life	200,000 cycles	200,000 cycles	200,000 cycles	
Panel Thickness	1~6mm	1~6mm	1~6mm	
Torque	5~14Nm	5~14Nm	5~14Nm	
Operation Pressure	About 4N	About 4N	About 4N	
Operation Travel	About 1.5mm	About 1.5mm	About 1.5mm	
IP Degree	IP65,IK08	IP65,IK08	IP65,IK08	
Material	Contact	Sliver Alloy	Sliver Alloy	
	Button	Stainless Steel/Brass(Nickel Plated, Gold plated)	Stainless Steel/Brass(Nickel Plated, Gold plated)	Stainless Steel/Brass(Nickel Plated, Gold plated)
	Body	Stainless Steel/Brass(Nickel Plated, Gold plated)	Stainless Steel/Brass(Nickel Plated, Gold plated)	Stainless Steel/Brass(Nickel Plated, Gold plated)
	Base	PBT	PBT	PBT
	RoHS	Made to order	Made to order	Made to order

Check the detailed part number from P2

**Anti-vandal push button**



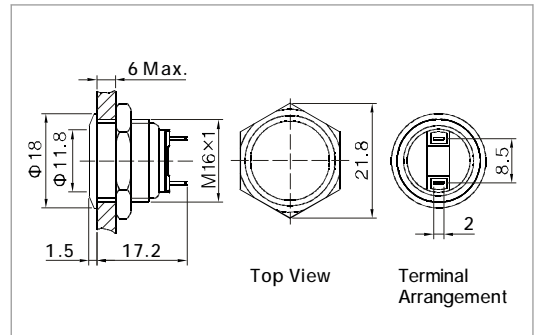
- ◎  $\Phi$  16mm Diameter
- ◎ Switch Rating: 2A/36VDC
- ◎ Contact Configuration: 1NO
- ◎ Operation Type: Momentary
- ◎ The Front Shape: Domed
- ◎ The Crust Material: Stainless Steel/ Brass(Nickel plated, Gold plated)
- ◎ IP Degree:IP65,IK08



**Anti-vandal push button**



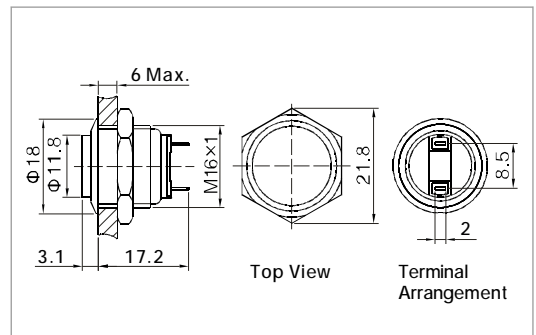
- ◎  $\Phi$  16mm Diameter
- ◎ Switch Rating: 2A/36VDC
- ◎ Contact Configuration: 1NO
- ◎ Operation Type: Momentary
- ◎ The Front Shape: Flat Round
- ◎ The Crust Material: Stainless Steel/ Brass(Nickel plated, Gold plated)
- ◎ IP Degree:IP65,IK08



**Anti-vandal push button**



- ◎  $\Phi$  16mm Diameter
- ◎ Switch Rating: 2A/36VDC
- ◎ Contact Configuration: 1NO
- ◎ Operation Type: Momentary
- ◎ The Front Shape: High Round
- ◎ The Crust Material: Stainless Steel/ Brass(Nickel plated, Gold plated)
- ◎ IP Degree:IP65,IK08

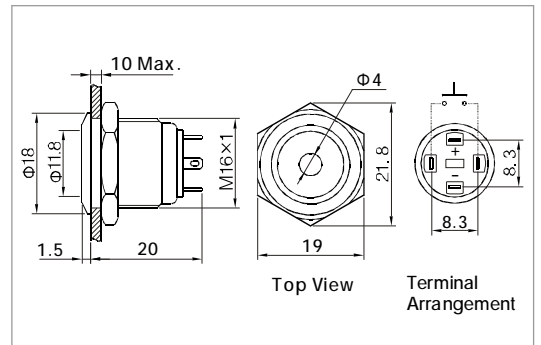


Specification	GQ16B-10/J/◎	GQ16F-10/J/◎	GQ16H-10/J/◎	
The Front Shape	Domed	Flat Round	High Round	
Terminal Type	Pin Terminal(2×0.5mm)	Pin Terminal(2×0.5mm)	Pin Terminal(2×0.5mm)	
Switching	X(double-break slow-motion contact)	X(double-break slow-motion contact)	X(double-break slow-motion contact)	
Max. Switch Rating	2A/36VDC	2A/36VDC	2A/36VDC	
Contact Resistance	≤50mΩ	≤50mΩ	≤50mΩ	
Insulation Resistance	≥1000MΩ	≥1000MΩ	≥1000MΩ	
Dielectric Intensity	2000VAC	2000VAC	2000VAC	
Operating Temp	-20℃ ~ +55℃	-20℃ ~ +55℃	-20℃ ~ +55℃	
Mechanical Life	1,000,000 cycles	1,000,000 cycles	1,000,000 cycles	
Electrical Life	200,000 cycles	200,000 cycles	200,000 cycles	
Panel Thickness	1 ~ 6mm	1 ~ 6mm	1 ~ 6mm	
Torque	5 ~ 14Nm	5 ~ 14Nm	5 ~ 14Nm	
Operation Pressure	About 4N	About 4N	About 4N	
Operation Travel	About 1.5mm	About 1.5mm	About 1.5mm	
IP Degree	IP65,IK08	IP65,IK08	IP65,IK08	
Material	Contact	Sliver Alloy	Sliver Alloy	
	Button	Stainless Steel/Brass(Nickel Plated, Gold plated)	Stainless Steel/Brass(Nickel Plated, Gold plated)	Stainless Steel/Brass(Nickel Plated, Gold plated)
	Body	Stainless Steel/Brass(Nickel Plated, Gold plated)	Stainless Steel/Brass(Nickel Plated, Gold plated)	Stainless Steel/Brass(Nickel Plated, Gold plated)
	Base	PBT	PBT	PBT
	RoHS	Made to order	Made to order	Made to order

Anti-vandal dot illuminated push button



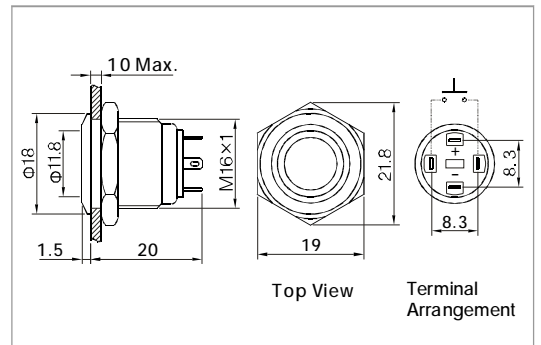
- ◎ Φ16mm Diameter
- ◎ Switch Rating: 2A/36VDC
- ◎ Contact Configuration: 1NO
- ◎ Operation Type: Momentary
- ◎ The Crust Material: Stainless Steel/Nickel Plated Brass
- ◎ Dot Illuminated
- ◎ IP Degree: IP65,IK08



Anti-vandal ring illuminated push button



- ◎ Φ16mm Diameter
- ◎ Switch Rating: 2A/36VDC
- ◎ Contact Configuration: 1NO
- ◎ Operation Type: Momentary
- ◎ The Crust Material: Stainless Steel/Nickel Plated Brass
- ◎ Ring Illuminated
- ◎ IP Degree: IP65,IK08



Specification	GQ16F-10D/J/Δ/▲/◎		GQ16F-10E/J/Δ/▲/◎			
The Front Shape	Flat Round		Flat Round			
Terminal Type	Pin Terminal(2×0.5mm)		Pin Terminal(2×0.5mm)			
Switching	X(double-break slow-motion contact)		X(double-break slow-motion contact)			
Max. Switch Rating	2A/36VDC		2A/36VDC			
Contact Resistance	≤50mΩ		≤50mΩ			
Insulation Resistance	≥1000MΩ		≥1000MΩ			
Dielectric Intensity	2000VAC		2000VAC			
Operating Temp	-20℃ ~ +55℃		-20℃ ~ +55℃			
Mechanical Life	1,000,000 cycles		1,000,000 cycles			
Electrical Life	200,000 cycles		200,000 cycles			
Panel Thickness	1 ~ 10mm		1 ~ 10mm			
Torque	5 ~ 14Nm		5 ~ 14Nm			
Operation Pressure	About 4N		About 4N			
Operation Travel	About 1.5mm		About 1.5mm			
IP Degree	IP65,IK08		IP65,IK08			
Material	Contact	Sliver Alloy		Sliver Alloy		
	Button	Stainless Steel/Nickel Plated Brass		Stainless Steel/Nickel Plated Brass		
	Body	Stainless Steel/Nickel Plated Brass		Stainless Steel/Nickel Plated Brass		
	Base	PBT		PBT		
	RoHS	Made to order		Made to order		
LED Spec.	Lamp type	Dot illuminated(LED)		Ring illuminated(LED)		
	Color	<span style="color:red">R</span> <span style="color:yellow">Y</span> <span style="color:orange">O</span>	<span style="color:green">G</span> <span style="color:blue">B</span> <span style="color:white">W</span>	<span style="color:red">R</span> <span style="color:yellow">Y</span> <span style="color:orange">O</span>	<span style="color:green">G</span> <span style="color:blue">B</span> <span style="color:white">W</span>	
	Rated Voltage(Ue)	AC/DC 1.7V	AC/DC 2.8V	AC/DC 1.7V	AC/DC 2.8V	
	Rated Current(Ie)	20mA		20mA		
	Life	40000 hours		40000 hours		
Current-Limiting Resistance Configuration Tble	Operating Voltage(U)	6V	12V	24V	36V	Formula $R = \frac{U-U_e}{I_e}$
	Current-Limiting Resistance(R)	<span style="color:red">R</span> <span style="color:yellow">Y</span> <span style="color:orange">O</span> <span style="color:green">G</span> <span style="color:blue">B</span> <span style="color:white">W</span>	210Ω,1/4W 160Ω,1/4W	510Ω,1/2W 460Ω,1/2W	1.2kΩ,3/4W 1.2KΩ,3/4W	

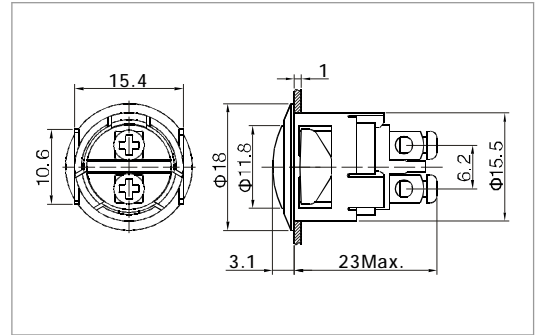
Check the detailed part number from P2

**Mosaic push button**



GQ16B-10/PC

- ⊙ Φ16mm Diameter
- ⊙ Switch Rating: 2A/36VDC
- ⊙ Contact Configuration: 1NO(1NC Made to order)
- ⊙ Operation Type: Momentary
- ⊙ The Front Shape: Domed
- ⊙ The Crust Material: PC
- ⊙ IP Degree:IP65,IK02

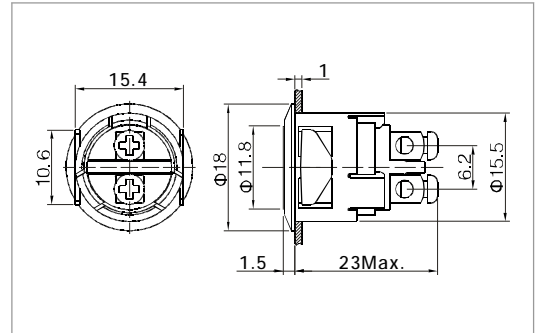


**Mosaic push button**



GQ16F-10/PC

- ⊙ Φ16mm Diameter
- ⊙ Switch Rating: 2A/36VDC
- ⊙ Contact Configuration: 1NO(1NC Made to order)
- ⊙ Operation Type: Momentary
- ⊙ The Front Shape: Flat Round
- ⊙ The Crust Material: PC
- ⊙ IP Degree: IP65,IK02

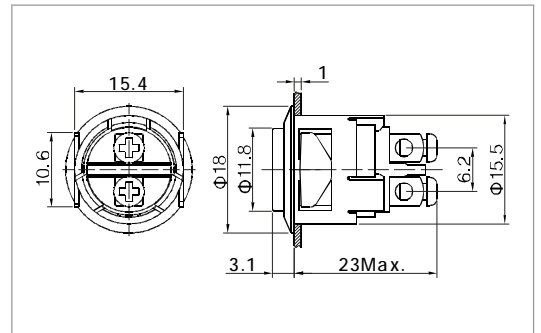


**Mosaic push button**



GQ16H-10/PC

- ⊙ Φ16mm Diameter
- ⊙ Switch Rating: 2A/36VDC
- ⊙ Contact Configuration: 1NO(1NC Made to order)
- ⊙ Operation Type: Momentary
- ⊙ The Front Shape: High Round
- ⊙ The Crust Material: PC
- ⊙ IP Degree: IP65,IK02



Specification	GQ16B-10/PC	GQ16F-10/PC	GQ16H-10/PC	
The Front Shape	Domed	Flat Round	High Round	
Terminal Type	Screw Terminal	Screw Terminal	Screw Terminal	
Switching	X(double-break slow-motion contact)	X(double-break slow-motion contact)	X(double-break slow-motion contact)	
Max. Switch Rating	2A/36VDC	2A/36VDC	2A/36VDC	
Contact Resistance	≤50mΩ	≤50mΩ	≤50mΩ	
Insulation Resistance	≥1000MΩ	≥1000MΩ	≥1000MΩ	
Dielectric Intensity	2000VAC	2000VAC	2000VAC	
Operating Temp	-20℃ ~ +55℃	-20℃ ~ +55℃	-20℃ ~ +55℃	
Mechanical Life	1,000,000 cycles	1,000,000 cycles	1,000,000 cycles	
Electrical Life	200,000 cycles	200,000 cycles	200,000 cycles	
Panel Thickness	1mm	1mm	1mm	
Operation Pressure	About 4N	About 4N	About 4N	
Operation Travel	About 1.5mm	About 1.5mm	About 1.5mm	
IP Degree	IP65,IK02	IP65,IK02	IP65,IK02	
Material	Contact	Sliver Alloy	Sliver Alloy	
	Button	Stainless Steel	Stainless Steel	
	Body	PC	PC	
	Base	PBT	PBT	
	RoHS	Made to order	Made to order	Made to order