

FEATURES

- 44 V supply maximum ratings
- V_{SS} to V_{DD} analog signal range
- Low on resistance (80 Ω maximum)
- Low power
- Fast switching
 - t_{ON} < 160 ns
 - t_{OFF} < 150 ns
- Break-before-make switching action

APPLICATIONS

- Audio and video routing
- Automatic test equipment
- Data acquisition systems
- Battery powered systems
- Sample hold systems
- Communication systems
- Avionics

PRODUCT HIGHLIGHTS

1. Extended Signal Range.
2. The ADG406/ADG407/ADG426 are fabricated on an enhanced LC²MOS process giving an increased signal range which extends to the supply rails.
3. Low Power Dissipation.
4. Low R_{ON}.
5. Single/Dual Supply Operation.
6. Single Supply Operation.
7. For applications where the analog signal is unipolar, the ADG406/ADG407/ADG426 can be operated from a single rail power supply. The parts are fully specified with a single +12 V power supply and remain functional with single supplies as low as +5 V.

FUNCTIONAL BLOCK DIAGRAMS

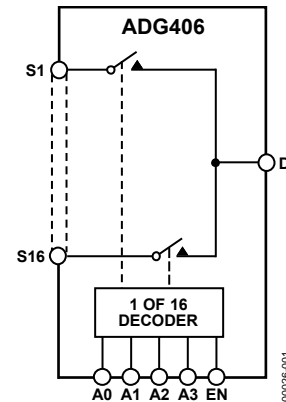


Figure 1.

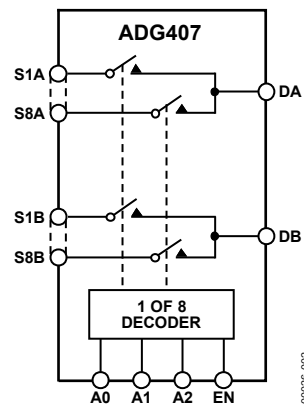


Figure 2.

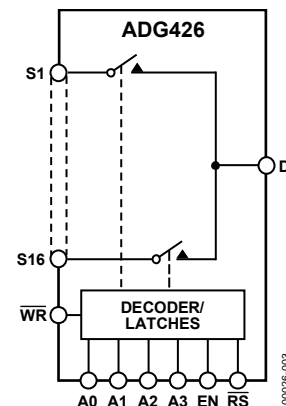


Figure 3.

Rev. B

Information furnished by Analog Devices is believed to be accurate and reliable. However, no responsibility is assumed by Analog Devices for its use, nor for any infringements of patents or other rights of third parties that may result from its use. Specifications subject to change without notice. No license is granted by implication or otherwise under any patent or patent rights of Analog Devices. Trademarks and registered trademarks are the property of their respective owners.

TABLE OF CONTENTS

| | | | |
|--------------------------------|---|--|----|
| Features | 1 | ADG426 Timing Diagrams..... | 7 |
| Applications..... | 1 | Absolute Maximum Ratings | 8 |
| Product Highlights | 1 | ESD Caution..... | 8 |
| Functional Block Diagrams..... | 1 | Pin Configurations and Function Descriptions | 9 |
| Revision History | 2 | Typical Performance Characteristics | 12 |
| General Description | 3 | Test Circuits..... | 15 |
| Specifications..... | 4 | Terminology | 18 |
| Dual Supply | 4 | Outline Dimensions | 19 |
| Single Supply | 6 | Ordering Guide | 20 |

REVISION HISTORY

5/10—Rev. A to Rev. B

| | |
|---------------------------------|----|
| Changes to Ordering Guide | 20 |
|---------------------------------|----|

6/09—Rev. 0 to Rev. A

| | |
|----------------------------------|-----------|
| Updated Format | Universal |
| Removed T Grade..... | Universal |
| Added Table 4..... | 9 |
| Added Table 6..... | 10 |
| Added Table 8..... | 11 |
| Updated Outline Dimensions | 18 |
| Changes to Ordering Guide | 19 |

4/94—Revision 0: Initial Version

GENERAL DESCRIPTION

The ADG406, ADG407, and ADG426 are monolithic CMOS analog multiplexers. The ADG406 and ADG426 switch one of sixteen inputs to a common output as determined by the 4-bit binary address lines: A0, A1, A2, and A3. The ADG426 has on-chip address and control latches that facilitate microprocessor interfacing. The ADG407 switches one of eight differential inputs to a common differential output as determined by the 3-bit binary address lines A0, A1 and A2. An EN input on all devices is used to enable or disable the device. When disabled, all channels are switched off.

The ADG406/ADG407/ADG426 are designed on an enhanced LC²MOS process that provides low power dissipation yet gives high switching speed and low on resistance. These features make the parts suitable for high speed data acquisition systems and audio signal switching. Low power dissipation makes the parts suitable for battery powered systems. Each channel conducts equally well in both directions when on and has an input signal range which extends to the supplies. In the off condition, signal levels up to the supplies are blocked. All channels exhibit break-before-make switching action preventing momentary shorting when switching channels. Inherent in the design is low charge injection for minimum transients when switching the digital inputs.

ADG406/ADG407/ADG426

SPECIFICATIONS

DUAL SUPPLY

$V_{DD} = +15\text{ V} \pm 10\%$, $V_{SS} = -15\text{ V} \pm 10\%$, GND = 0 V, unless otherwise noted.

Table 1.

| Parameter ¹ | +25°C | -40°C to +85°C | Unit | Test Conditions/Comments |
|---|-----------|----------------------|-------------------|--|
| ANALOG SWITCH | | | | |
| Analog Signal Range | | V_{SS} to V_{DD} | V | |
| R_{ON} | 50 | | Ω typ | $V_D = \pm 10\text{ V}$, $I_S = -1\text{ mA}$ |
| | 80 | 125 | Ω max | $V_{DD} = +13.5\text{ V}$, $V_{SS} = -13.5\text{ V}$ |
| R_{ON} Match | 4 | | Ω typ | $V_D = 0\text{ V}$, $I_S = -1\text{ mA}$ |
| LEAKAGE CURRENTS | | | | |
| Source Off Leakage I_S (Off) | ± 0.5 | ± 20 | nA max | $V_{DD} = +16.5\text{ V}$, $V_{SS} = -16.5\text{ V}$ $V_D = \pm 10\text{ V}$, $V_S = \mp 10\text{ V}$, see Figure 26 |
| Drain Off Leakage I_D (Off) | | | | $V_D = \pm 10\text{ V}$, $V_S = \mp 10\text{ V}$; see Figure 27 |
| ADG406, ADG426 | ± 1 | ± 20 | nA max | |
| ADG407 | ± 1 | ± 20 | nA max | |
| Channel On Leakage I_D , I_S (On) | | | | $V_S = V_D = \pm 10\text{ V}$; see Figure 28 |
| ADG406, ADG426 | ± 1 | ± 20 | nA max | |
| ADG407 | ± 1 | ± 20 | nA max | |
| DIGITAL INPUTS | | | | |
| Input High Voltage, V_{INH} | | 2.4 | V min | |
| Input Low Voltage, V_{INL} | | 0.8 | V max | |
| Input Current | | | | |
| I_{INL} or I_{INH} | | ± 1 | μA max | $V_{IN} = 0$ or V_{DD} |
| C_{IN} , Digital Input Capacitance | 8 | | pF typ | $f = 1\text{ MHz}$ |
| DYNAMIC CHARACTERISTICS² | | | | |
| $t_{TRANSITION}$ | 120 | | ns typ | $R_L = 300\ \Omega$, $C_L = 35\text{ pF}$; $V_1 = \pm 10\text{ V}$, $V_2 = \mp 10\text{ V}$; see Figure 29 |
| | 150 | 250 | ns max | |
| Break Before Make Delay, t_{OPEN} | 10 | 10 | ns min | $R_L = 300\ \Omega$, $C_L = 35\text{ pF}$; $V_S = +5\text{ V}$, see Figure 30 |
| t_{ON} (\overline{EN} , \overline{WR}) | 120 | 175 | ns typ | $R_L = 300\ \Omega$, $C_L = 35\text{ pF}$; $V_S = 5\text{ V}$, see Figure 31 |
| | 160 | 225 | ns max | |
| t_{OFF} (\overline{EN} , \overline{RS}) | 110 | 130 | ns typ | $R_L = 300\ \Omega$, $C_L = 35\text{ pF}$; $V_S = 5\text{ V}$, see Figure 31 |
| | 150 | 180 | ns max | |
| ADG426 Only | | | | |
| t_W , Write Pulse Width | | 100 | ns min | |
| t_S , Address, Enable Setup Time | | 100 | ns min | |
| t_H , Address, Enable Hold Time | | 10 | ns min | |
| t_{RS} , Reset Pulse Width | | 100 | ns min | $V_S = +5\text{ V}$ |
| Charge Injection | 8 | | pC typ | $V_S = 0\text{ V}$, $R_S = 0\ \Omega$, $C_L = 1\text{ nF}$; See Figure 34 |
| Off Isolation | -75 | | dB typ | $R_L = 1\text{ k}\Omega$, $f = 100\text{ kHz}$; $V_{EN} = 0\text{ V}$, see Figure 35 |
| Channel-to-Channel Crosstalk | 85 | | dB typ | $R_L = 1\text{ k}\Omega$, $f = 100\text{ kHz}$, see Figure 36 |
| C_S (Off) | 5 | | pF typ | $f = 1\text{ MHz}$ |
| C_D (Off) | | | | $f = 1\text{ MHz}$ |
| ADG406, ADG426 | 50 | | pF typ | |
| ADG407 | 25 | | pF typ | |
| C_D , C_S (On) | | | | $f = 1\text{ MHz}$ |
| ADG406, ADG426 | 60 | | pF typ | |
| ADG407 | 40 | | pF typ | |

| Parameter ¹ | +25°C | -40°C to +85°C | Unit | Test Conditions/Comments |
|---------------------------|-------|----------------|--------|--|
| POWER REQUIREMENTS | | | | |
| I _{DD} | | 1 | μA typ | V _{DD} = +16.5 V, V _{SS} = -16.5 V V _{IN} = 0 V, V _{EN} = 0 V |
| | | | 5 | |
| I _{SS} | | 1 | μA typ | |
| | | | 5 | |
| I _{DD} | 100 | | μA typ | V _{IN} = 0 V, V _{EN} = 2.4 V |
| | 200 | 500 | μA max | |
| I _{SS} | | 1 | μA typ | |
| | | 5 | μA max | |

¹ Temperature ranges is -40°C to +85°C.

² Guaranteed by design, not subject to production test.

ADG406/ADG407/ADG426

SINGLE SUPPLY

$V_{DD} = +12\text{ V} \pm 10\%$, $V_{SS} = 0\text{ V}$, $GND = 0\text{ V}$, unless otherwise noted.

Table 2.

| Parameter ¹ | +25°C | -40°C to +85°C | Unit | Test Conditions/Comments |
|--|------------|----------------|------------------------------|--|
| ANALOG SWITCH | | | | |
| Analog Signal Range | | 0 to V_{DD} | V | |
| R_{ON} | 90 125 | 200 | Ω typ Ω max | $V_D = +3\text{ V}, +8.5\text{ V}, I_S = -1\text{ mA};$ $V_{DD} = +10.8\text{ V}$ |
| LEAKAGE CURRENTS | | | | |
| Source Off Leakage I_S (Off) | ± 0.5 | ± 20 | nA max | $V_{DD} = +13.2\text{ V}$ $V_D = 8\text{ V}/0.1\text{ V}, V_S = 0.1\text{ V}/8\text{ V};$ see Figure 26 |
| Drain Off Leakage I_D (Off) | | | | $V_D = 8\text{ V}/0.1\text{ V}, V_S = 0.1\text{ V}/8\text{ V};$ see Figure 27 |
| ADG406, ADG426 | ± 1 | ± 20 | nA max | |
| ADG407 | ± 1 | ± 20 | nA max | |
| Channel On Leakage I_D, I_S (On) | | | | $V_S = V_D = 8\text{ V}/0.1\text{ V},$ see Figure 28 |
| ADG406, ADG426 | ± 1 | ± 20 | nA max | |
| ADG407 | ± 1 | ± 20 | nA max | |
| DIGITAL INPUTS | | | | |
| Input High Voltage, V_{INH} | | 2.4 | V min | |
| Input Low Voltage, V_{INL} | | 0.8 | V max | |
| Input Current | | | | |
| I_{INL} or I_{INH} | | ± 1 | μA max | $V_{IN} = 0$ or V_{DD} |
| C_{IN} , Digital Input Capacitance | 8 | | pF typ | $f = 1\text{ MHz}$ |
| DYNAMIC CHARACTERISTICS² | | | | |
| $t_{TRANSITION}$ | 180 220 | 350 | ns typ ns max | $R_L = 300\ \Omega, C_L = 35\text{ pF}; V_1 = 8\text{ V}/0\text{ V}, V_2 = 0\text{ V}/8\text{ V};$ see Figure 29 |
| Break Before Make Delay, t_{OPEN} | 10 | | ns typ | $R_L = 300\ \Omega, C_L = 35\text{ pF}; V_S = 5\text{ V},$ see Figure 30 |
| t_{ON} (EN, \overline{WR}) | 180 | | ns typ | $R_L = 300\ \Omega, C_L = 35\text{ pF};$ |
| | 240 | 350 | ns max | $V_S = +5\text{ V},$ see Figure 31 |
| t_{OFF} (EN, \overline{RS}) | 135 | | ns typ | $R_L = 300\ \Omega, C_L = 35\text{ pF}; V_S = 5\text{ V},$ see Figure 31 |
| | 180 | 220 | ns max | |
| ADG426 Only | | | | |
| t_w , Write Pulse Width | | 100 | ns min | |
| t_s , Address, Enable Setup Time | | 100 | ns min | |
| t_h , Address, Enable Hold Time | | 10 | ns min | |
| t_{RS} , Reset Pulse Width | | 100 | ns min | $V_S = +5\text{ V}$ |
| Charge Injection | 5 | | pC typ | $V_S = 6\text{ V}, R_S = 0\ \Omega, C_L = 1\text{ nF};$ see Figure 34 |
| Off Isolation | -75 | | dB typ | $R_L = 1\text{ k}\Omega, f = 100\text{ kHz};$ see Figure 35 |
| Channel-to-Channel Crosstalk | 85 | | dB typ | $R_L = 1\text{ k}\Omega, f = 100\text{ kHz};$ see Figure 36 |
| C_S (Off) | 8 | | pF typ | $f = 1\text{ MHz}$ |
| C_D (Off) | | | | $f = 1\text{ MHz}$ |
| ADG406, ADG426 | 80 | | pF typ | |
| ADG407 | 40 | | pF typ | $f = 1\text{ MHz}$ |
| C_D, C_S (On) | | | | |
| ADG406, ADG426 | 100 | | pF typ | |
| ADG407 | 50 | | pF typ | |
| POWER REQUIREMENTS | | | | |
| I_{DD} | | 1 | μA typ | $V_{DD} = +13.2\text{ V}$ $V_{IN} = 0\text{ V}, V_{EN} = 0\text{ V}$ |
| | | 5 | μA max | |
| I_{DD} | 100 | | μA typ | $V_{IN} = 0\text{ V}, V_{EN} = 2.4\text{ V}$ |
| | 200 | 500 | μA max | |

¹ Temperature range is -40°C to +85°C.

² Guaranteed by design, not subject to production test.

ADG426 TIMING DIAGRAMS

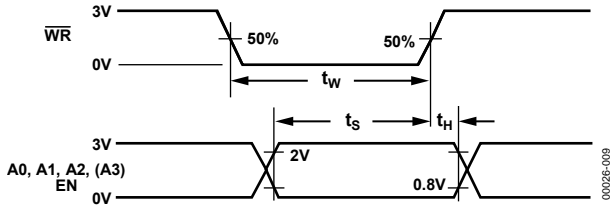


Figure 4. Timing Sequence for Latching the Switch Address and Enable Inputs

Figure 4 shows the timing sequence for latching the switch address and enable inputs. The latches are level sensitive; therefore, while \overline{WR} is held low, the latches are transparent and the switches respond to the address and enable inputs. This input data is latched on the rising edge of \overline{WR} .

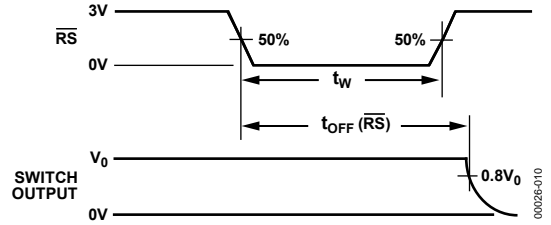


Figure 5. Reset Pulse Width and Reset Turn Off Time

Figure 5 shows the reset pulse width, t_{rs} , and the reset turn off time, $t_{OFF}(\overline{RS})$.

Note that all digital input signals rise and fall times are measured from 10% to 90% of 3 V; $t_r = t_f = 20$ ns.

ABSOLUTE MAXIMUM RATINGS

$T_A = 25^\circ\text{C}$ unless otherwise noted.

Table 3.

| Parameter | Rating |
|--------------------------------------|---|
| V_{DD} to V_{SS} | 44 V |
| V_{DD} to GND | -0.3 V to +25 V |
| V_{SS} to GND | +0.3 V to -25 V |
| Analog, Digital Inputs ¹ | $V_{SS} - 2\text{ V}$ to $V_{DD} + 2\text{ V}$ or 20 mA, whichever occurs first |
| Continuous Current, S or D | 20 mA |
| Peak Current, S or D | 40 mA (Pulsed at 1 ms, 10% duty cycle max) |
| Operating Temperature Range | |
| Industrial (B Version) | -40°C to +85°C |
| Storage Temperature Range | -65°C to +150°C |
| Junction Temperature | 150°C |
| Plastic Package | |
| θ_{JA} , Thermal Impedance | 75°C/W |
| Lead Temperature, Soldering (10 sec) | 260°C |
| PLCC Package | |
| θ_{JA} , Thermal Impedance | 80°C/W |
| Lead Temperature, Soldering | |
| Vapor Phase (60 sec) | 215°C |
| Infrared (15 sec) | 220°C |
| SSOP Package | |
| θ_{JA} , Thermal Impedance | 122°C/W |
| Lead Temperature, Soldering | |
| Vapor Phase (60 sec) | 215°C |
| Infrared (15 sec) | 220°C |

¹ Overvoltages at A, S, D, \overline{WR} , or \overline{RS} will be clamped by internal diodes. Current should be limited to the maximum ratings given.

Stresses above those listed under Absolute Maximum Ratings may cause permanent damage to the device. This is a stress rating only; functional operation of the device at these or any other conditions above those indicated in the operational section of this specification is not implied. Exposure to absolute maximum rating conditions for extended periods may affect device reliability.

ESD CAUTION



ESD (electrostatic discharge) sensitive device. Charged devices and circuit boards can discharge without detection. Although this product features patented or proprietary protection circuitry, damage may occur on devices subjected to high energy ESD. Therefore, proper ESD precautions should be taken to avoid performance degradation or loss of functionality.

PIN CONFIGURATIONS AND FUNCTION DESCRIPTIONS

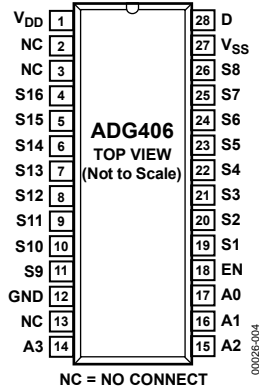


Figure 6. 28-Lead PDIP

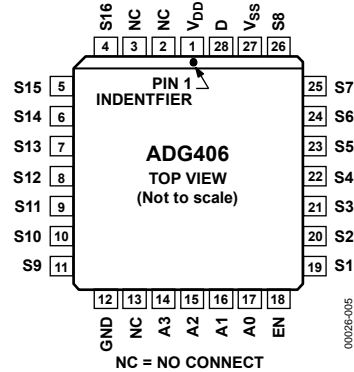


Figure 7. 28-Lead PLCC

Table 4. Pin Function Descriptions

| Pin No. | Mnemonic | Description |
|----------|-----------------|--|
| 1 | V _{DD} | Most Positive Power Supply Potential. |
| 2, 3, 13 | NC | No Connect. |
| 4 to 11 | S16 to S9 | Source Terminal 16 to Source Terminal 9. These pins can be inputs or outputs. |
| 12 | GND | Ground (0 V) Reference. |
| 14 to 17 | A3 to A0 | Logic Control Input. |
| 18 | EN | Active High Digital Input. When this pin is low, the device is disabled and all switches are turned off. When this pin is high, the A _x logic inputs determine which switch is turned on. |
| 19 to 26 | S1 to 8 | Source Terminal 1 to Source Terminal 8. These pins can be inputs or outputs. |
| 27 | V _{SS} | Most Negative Power Supply Potential. In single-supply applications, this pin can be connected to ground. |
| 28 | D | Drain Terminal. This pin can be an input or an output. |

Table 5. Truth Table (ADG406)

| A3 | A2 | A1 | A0 | EN | On Switch |
|----|----|----|----|----|-----------|
| X | X | X | X | 0 | None |
| 0 | 0 | 0 | 0 | 1 | 1 |
| 0 | 0 | 0 | 1 | 1 | 2 |
| 0 | 0 | 1 | 0 | 1 | 3 |
| 0 | 0 | 1 | 1 | 1 | 4 |
| 0 | 1 | 0 | 0 | 1 | 5 |
| 0 | 1 | 0 | 1 | 1 | 6 |
| 0 | 1 | 1 | 0 | 1 | 7 |
| 0 | 1 | 1 | 1 | 1 | 8 |
| 1 | 0 | 0 | 0 | 1 | 9 |
| 1 | 0 | 0 | 1 | 1 | 10 |
| 1 | 0 | 1 | 0 | 1 | 11 |
| 1 | 0 | 1 | 1 | 1 | 12 |
| 1 | 1 | 0 | 0 | 1 | 13 |
| 1 | 1 | 0 | 1 | 1 | 14 |
| 1 | 1 | 1 | 0 | 1 | 15 |
| 1 | 1 | 1 | 1 | 1 | 16 |

ADG406/ADG407/ADG426

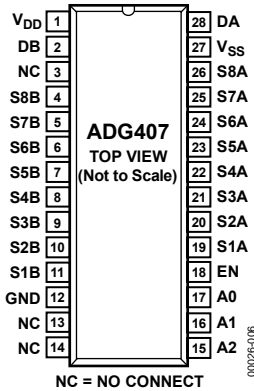


Figure 8. 28-Lead PDIP

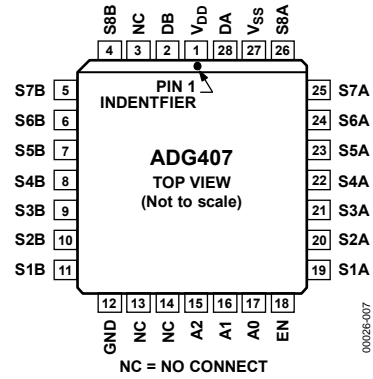


Figure 9. 28-Lead PLCC

Table 6. Pin Function Descriptions

| Pin No. | Mnemonic | Description |
|-----------|-----------------|--|
| 1 | V _{DD} | Most Positive Power Supply Potential. |
| 2 | DB | Drain Terminal B. This pin can be an input or an output. |
| 3, 13, 14 | NC | No Connect. |
| 4 to 11 | S8B to S1B | Source Terminal 8B to Source Terminal 1B. These pins can be inputs or outputs. |
| 12 | GND | Ground (0 V) Reference. |
| 15 to 17 | A2 to A0 | Logic Control Input. |
| 18 | EN | Active High Digital Input. When this pin is low, the device is disabled and all switches are turned off. When this pin is high, the A _x logic inputs determine which switch is turned on. |
| 19 to 26 | S1A to S8A | Source Terminal 1A to Source Terminal 8A. These pins can be inputs or outputs. |
| 27 | V _{SS} | Most Negative Power Supply Potential. In single-supply applications, this pin can be connected to ground. |
| 28 | DA | Drain Terminal A. This pin can be an input or an output. |

Table 7. Truth Table (ADG407)

| A2 | A1 | A0 | EN | On Switch Pair |
|----|----|----|----|----------------|
| X | X | X | 0 | None |
| 0 | 0 | 0 | 1 | 1 |
| 0 | 0 | 1 | 1 | 2 |
| 0 | 1 | 0 | 1 | 3 |
| 0 | 1 | 1 | 1 | 4 |
| 1 | 0 | 0 | 1 | 5 |
| 1 | 0 | 1 | 1 | 6 |
| 1 | 1 | 0 | 1 | 7 |
| 1 | 1 | 1 | 1 | 8 |

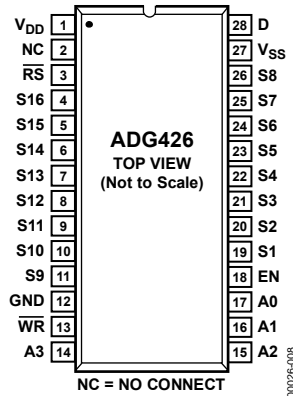


Figure 10. 28-Lead PDIP/SSOP

Table 8. Pin Function Descriptions

| Pin No. | Mnemonic | Description |
|----------|-----------------|--|
| 1 | V _{DD} | Most Positive Power Supply Potential. |
| 2 | NC | No Connect. |
| 3 | \overline{RS} | Active Low Logic Input. When this pin is low, all switches are open, and address and enable latches registers are cleared to 0. |
| 4 to 11 | S16 to S9 | Source Terminal 16 to Source Terminal 9. These pins can be inputs or outputs. |
| 12 | GND | Ground (0 V) Reference. |
| 13 | \overline{WR} | The rising edge of the \overline{WR} signal latches the state of the address control lines and the enable line. |
| 14 to 17 | A3 to A0 | Logic Control Input. |
| 18 | EN | Active High Digital Input. When this pin is low, the device is disabled and all switches are turned off. When this pin is high, the A _x logic inputs determine which switch is turned on. |
| 19 to 26 | S1 to S8 | Source Terminal 1 to Source Terminal 8. These pins can be inputs or outputs. |
| 27 | V _{SS} | Most Negative Power Supply Potential. In single-supply applications, this pin can be connected to ground. |
| 28 | D | Drain Terminal. This pin can be an input or an output. |

Table 9. Truth Table (ADG426)

| A3 | A2 | A1 | A0 | EN | \overline{WR} | \overline{RS} | On switch |
|----|----|----|----|----|-----------------|-----------------|---|
| X | X | X | X | X | \uparrow | 1 | Retains previous switch condition |
| X | X | X | X | X | X | 0 | None (address and enable latches cleared) |
| X | X | X | X | 0 | 0 | 1 | None |
| 0 | 0 | 0 | 0 | 1 | 0 | 1 | 1 |
| 0 | 0 | 0 | 1 | 1 | 0 | 1 | 2 |
| 0 | 0 | 1 | 0 | 1 | 0 | 1 | 3 |
| 0 | 0 | 1 | 1 | 1 | 0 | 1 | 4 |
| 0 | 1 | 0 | 0 | 1 | 0 | 1 | 5 |
| 0 | 1 | 0 | 1 | 1 | 0 | 1 | 6 |
| 0 | 1 | 1 | 0 | 1 | 0 | 1 | 7 |
| 0 | 1 | 1 | 1 | 1 | 0 | 1 | 8 |
| 1 | 0 | 0 | 0 | 1 | 0 | 1 | 9 |
| 1 | 0 | 0 | 1 | 1 | 0 | 1 | 10 |
| 1 | 0 | 1 | 0 | 1 | 0 | 1 | 11 |
| 1 | 0 | 1 | 1 | 1 | 0 | 1 | 12 |
| 1 | 1 | 0 | 0 | 1 | 0 | 1 | 13 |
| 1 | 1 | 0 | 1 | 1 | 0 | 1 | 14 |
| 1 | 1 | 1 | 0 | 1 | 0 | 1 | 15 |
| 1 | 1 | 1 | 1 | 1 | 0 | 1 | 16 |

TYPICAL PERFORMANCE CHARACTERISTICS

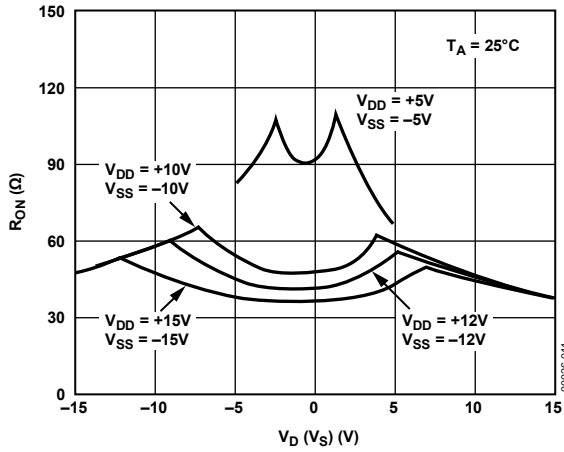


Figure 11. R_{ON} as a Function of V_D (V_S): Dual Supplies

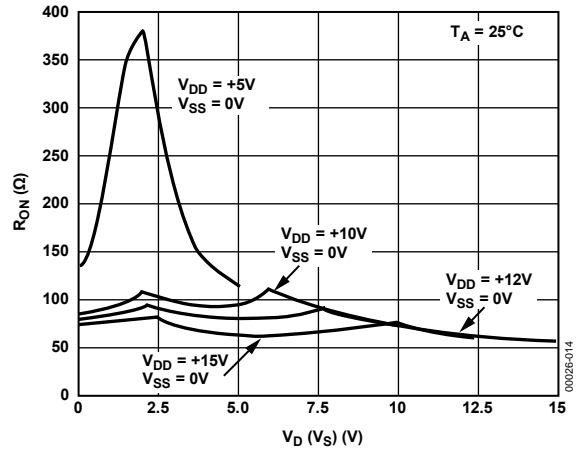


Figure 14. R_{ON} as a Function of V_D (V_S): Single Supplies

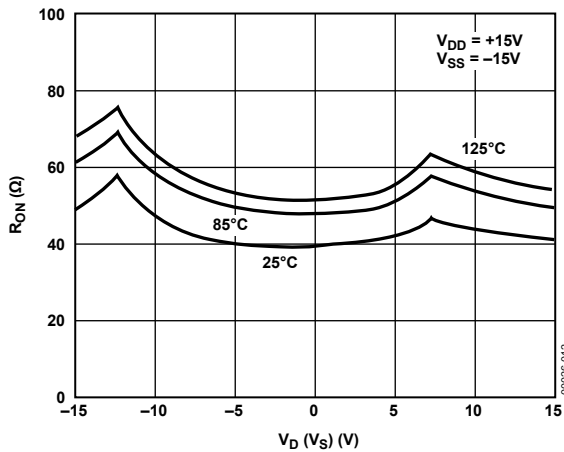


Figure 12. R_{ON} as a Function of V_D (V_S) for Different Temperatures

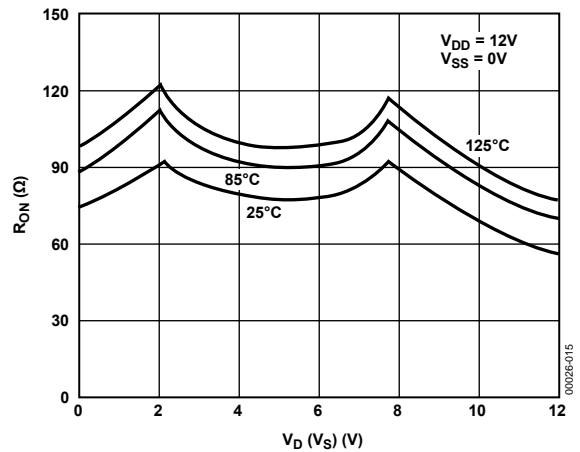


Figure 15. R_{ON} as a Function of V_D (V_S) for Different Temperatures

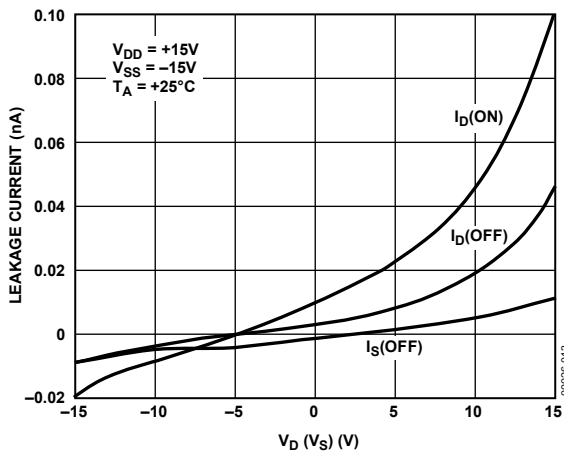


Figure 13. Leakage Currents as a Function of V_D (V_S)

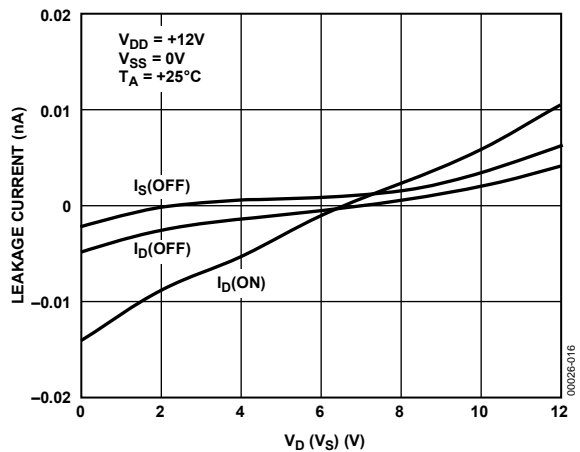


Figure 16. Leakage Currents as a Function of V_D (V_S)

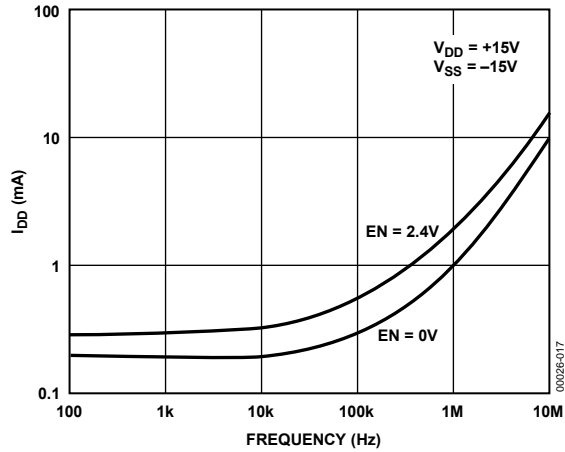


Figure 17. Positive Supply Current vs. Switching Frequency

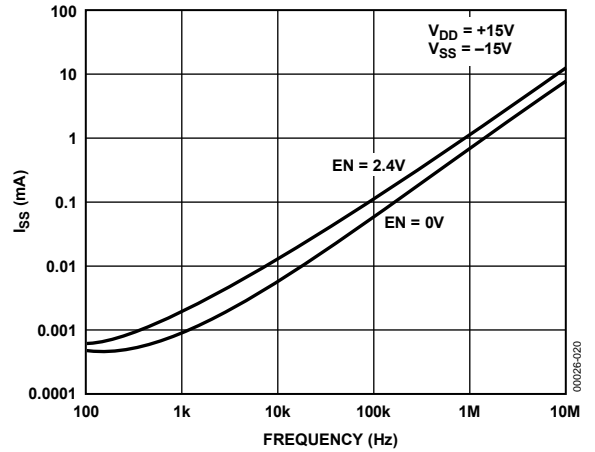


Figure 20. Negative Supply Current vs. Switching Frequency

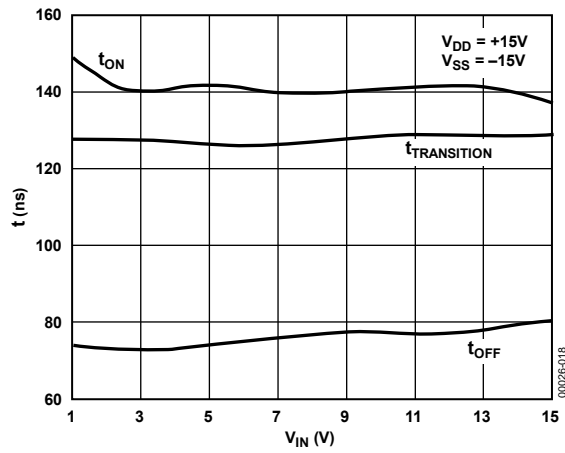


Figure 18. Switching Time vs. V_{IN} (Bipolar Supply)

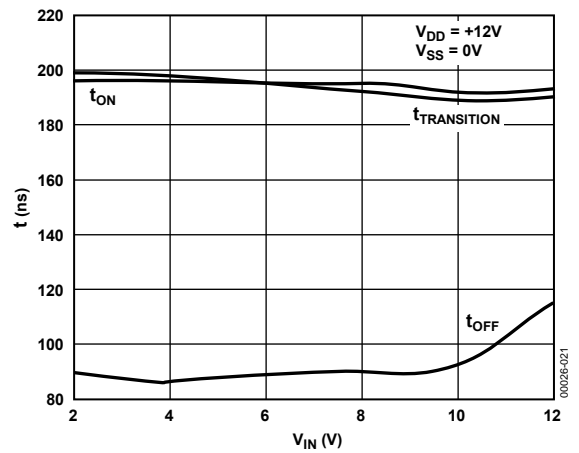


Figure 21. Switching Time vs. V_{IN} (Single Supply)

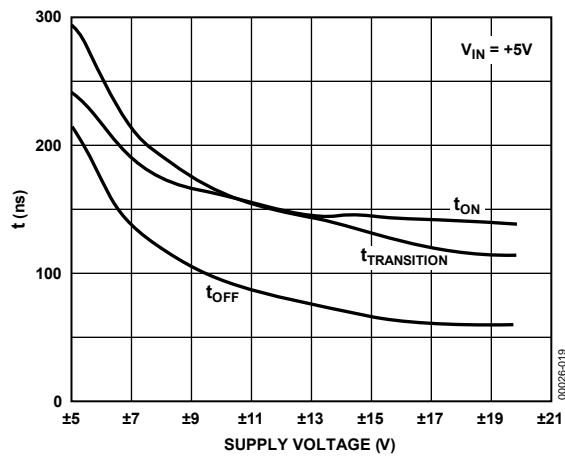


Figure 19. Switching Time vs. Bipolar Supply

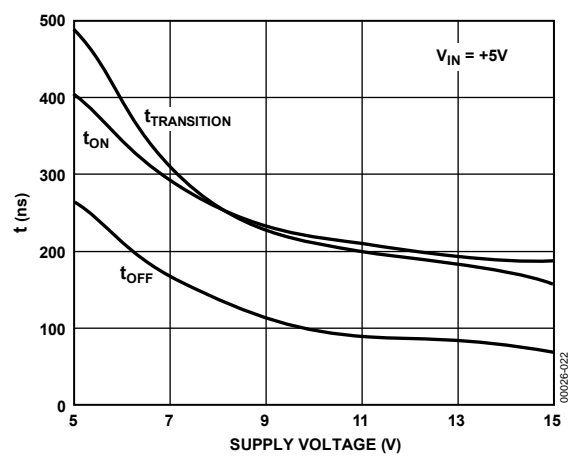


Figure 22. Switching Time vs. Single Supply

ADG406/ADG407/ADG426

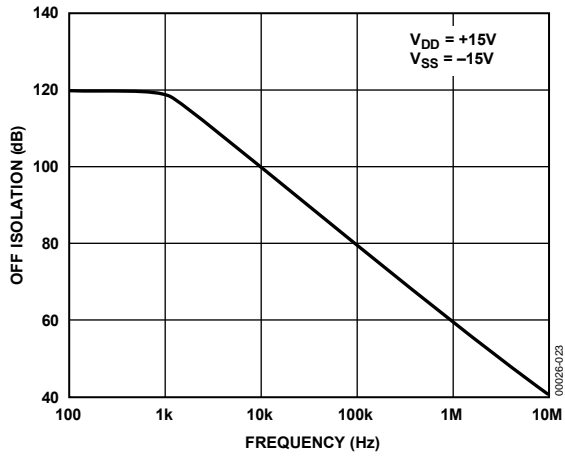


Figure 23. Off Isolation vs. Frequency

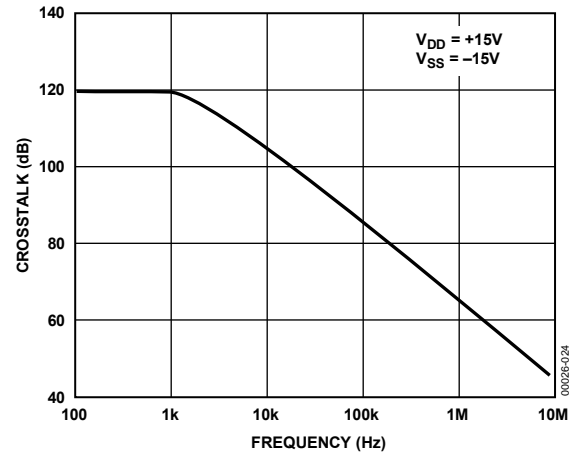


Figure 24. Crosstalk vs. Frequency

TEST CIRCUITS

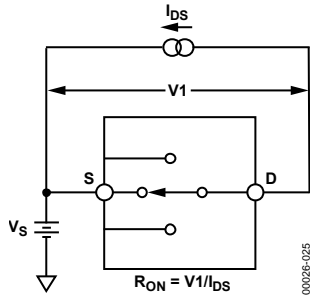


Figure 25. On Resistance

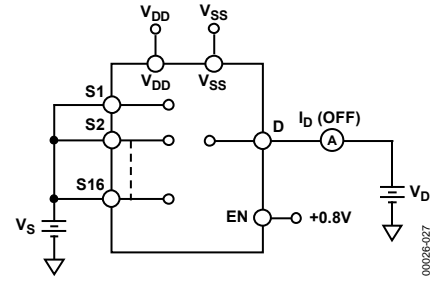


Figure 27. I_D (Off)

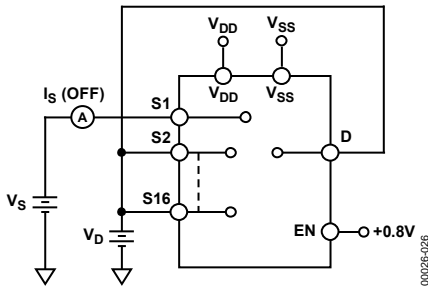


Figure 26. I_S (Off)

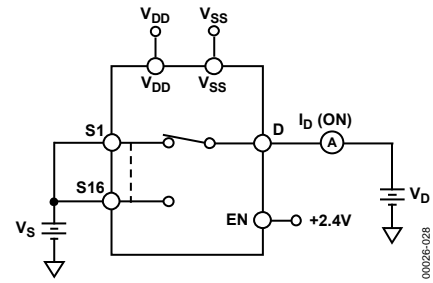
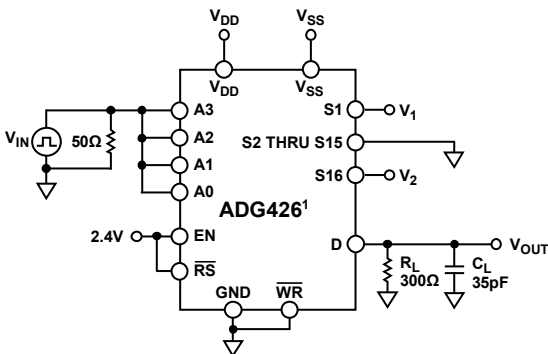
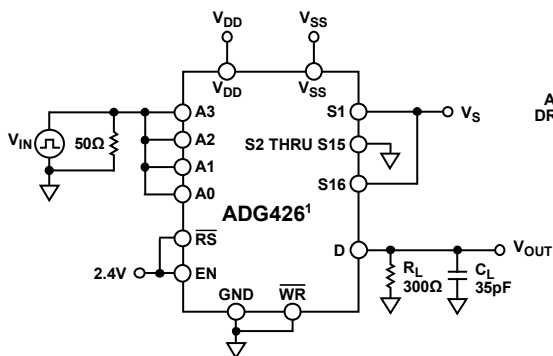


Figure 28. I_D (On)



¹SIMILAR CONNECTION FOR ADG406/ADG407

Figure 29. Switching Time of Multiplexer, $t_{TRANSITION}$



¹SIMILAR CONNECTION FOR ADG406/ADG407

Figure 30. Break-Before-Make Delay, t_{OPEN}

ADG406/ADG407/ADG426

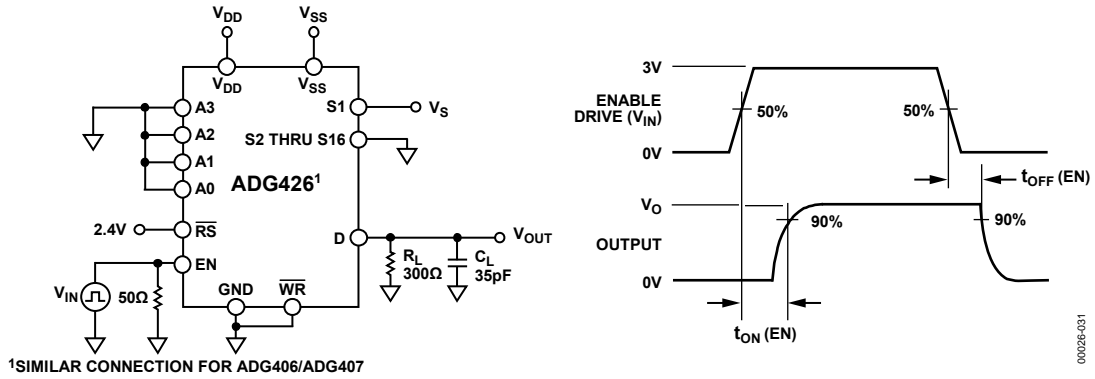


Figure 31. Enable Delay, $t_{ON}(EN)$, $t_{OFF}(EN)$

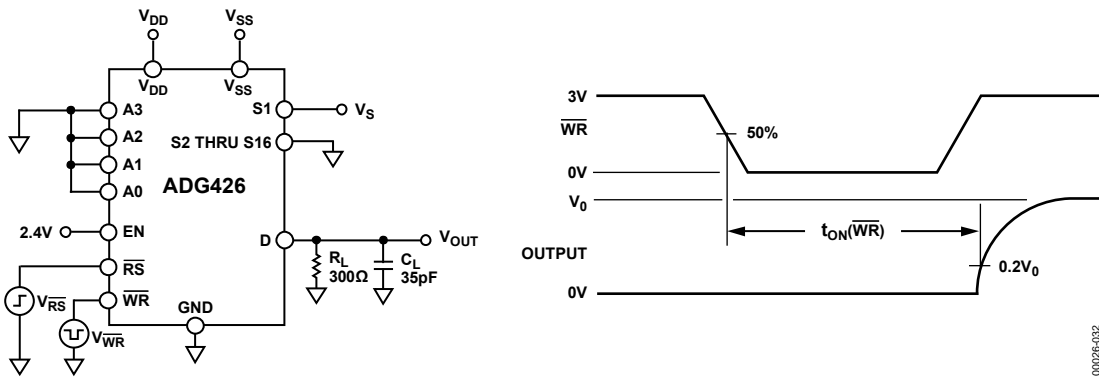


Figure 32. Write Turn-On Time, $t_{ON}(\overline{WR})$

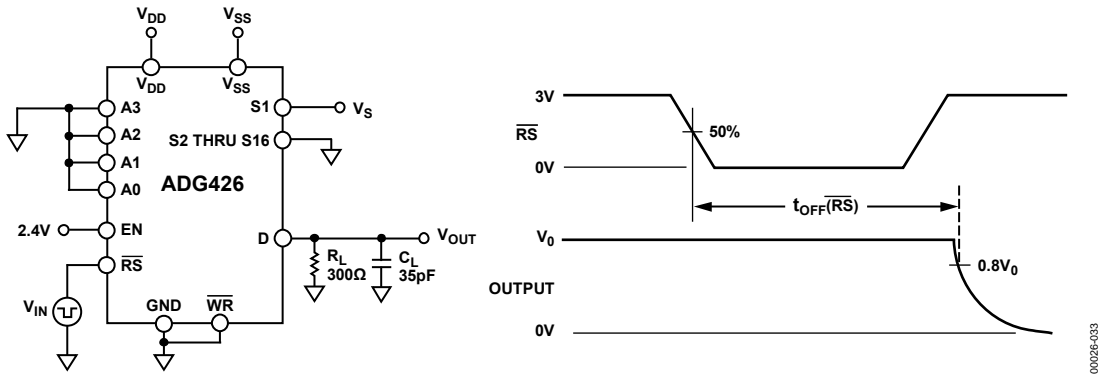
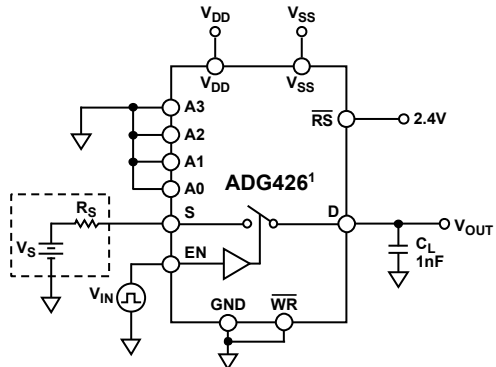


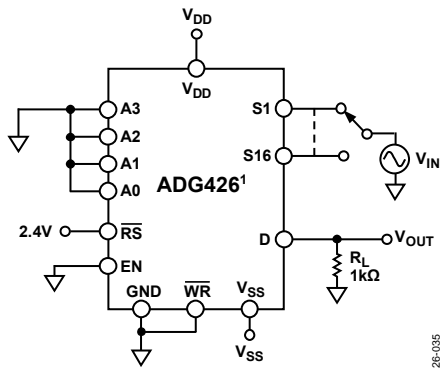
Figure 33. Reset Turn-Off Time, $t_{OFF}(\overline{RS})$



¹SIMILAR CONNECTION FOR ADG406/ADG407.

Figure 34. Charge Injection

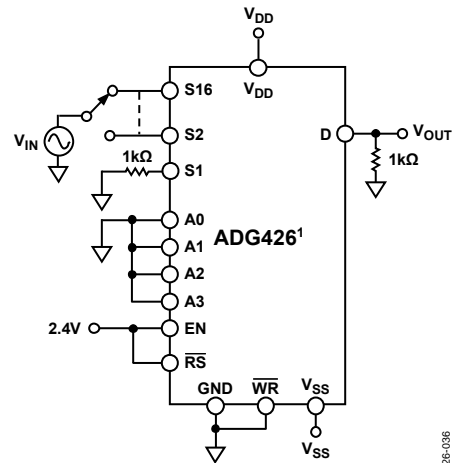
00026-034



¹SIMILAR CONNECTION FOR ADG406/ADG407.

Figure 35. Off Isolation

00026-035



¹SIMILAR CONNECTION FOR ADG406/ADG407.

Figure 36. Crosstalk

00026-036

TERMINOLOGY

V_{DD}

Most positive power supply potential.

V_{SS}

Most negative power supply potential in dual supplies. In single supply applications, it may be connected to ground.

GND

Ground (0 V) reference.

R_{ON}

Ohmic resistance between the D and S terminals.

R_{ON} Match

Difference between the R_{ON} of any two channels.

I_S (Off)

Source leakage current when the switch is off.

I_D (Off)

Drain leakage current when the switch is off.

I_D, I_S (On)

Channel leakage current when the switch is on.

V_D (V_S)

Analog voltage on Terminal D, Terminal S.

C_S (Off)

Channel input capacitance for off condition.

C_D (Off)

Channel output capacitance for off condition.

C_D, C_S (ON)

On switch capacitance.

C_{IN}

Digital input capacitance.

t_{ON} (EN)

Delay time between the 50% and 90% points of the digital input and switch on condition.

t_{OFF} (EN)

Delay time between the 50% and 90% points of the digital input and switch off condition.

$t_{TRANSITION}$

Delay time between the 50% and 90% points of the digital inputs and the switch on condition when switching from one address state to another.

t_{OPEN}

Off time measured between 80% points of both switches when switching from one address state to another.

V_{INL}

Maximum input voltage for Logic 0.

V_{INH}

Minimum input voltage for Logic 1.

I_{INL} (I_{INH})

Input current of the digital input.

Crosstalk

A measure of unwanted signal which is coupled through from one channel to another as a result of parasitic capacitance.

Off Isolation

A measure of unwanted signal coupling through an off channel.

Charge Injection

A measure of the glitch impulse transferred from the digital input to the analog output during switching.

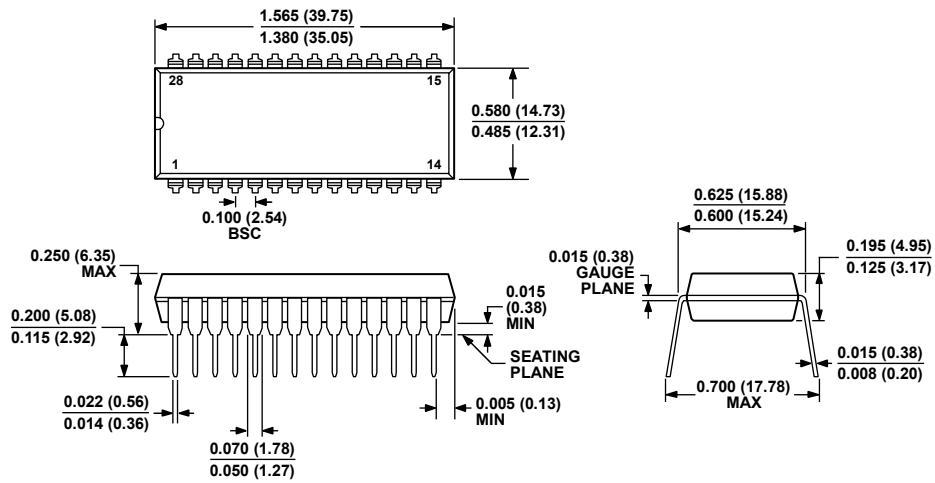
I_{DD}

Positive supply current.

I_{SS}

Negative supply current.

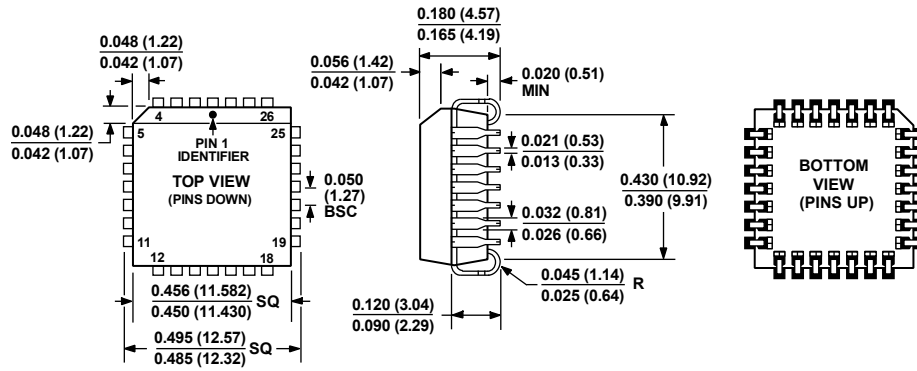
OUTLINE DIMENSIONS



COMPLIANT TO JEDEC STANDARDS MS-011
 CONTROLLING DIMENSIONS ARE IN INCHES; MILLIMETER DIMENSIONS
 (IN PARENTHESES) ARE ROUNDED-OFF INCH EQUIVALENTS FOR
 REFERENCE ONLY AND ARE NOT APPROPRIATE FOR USE IN DESIGN.
 CORNER LEADS MAY BE CONFIGURED AS WHOLE LEADS.

Figure 37. 28-Lead Plastic Dual In-Line Package {PDIP}
 Wide Body
 (N-28-2)
 Dimensions shown in inches and (millimeters)

071006-A

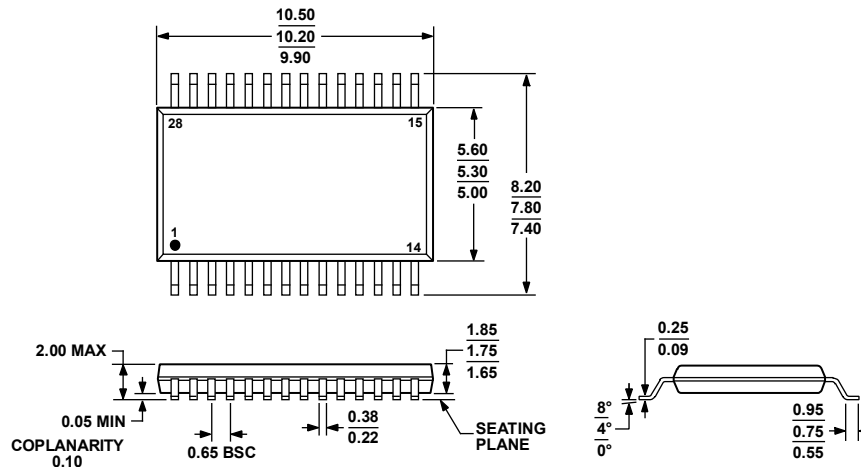


COMPLIANT TO JEDEC STANDARDS MO-047-AB
 CONTROLLING DIMENSIONS ARE IN INCHES; MILLIMETER DIMENSIONS
 (IN PARENTHESES) ARE ROUNDED-OFF INCH EQUIVALENTS FOR
 REFERENCE ONLY AND ARE NOT APPROPRIATE FOR USE IN DESIGN.

Figure 38. 28-Lead Plastic Leaded Chip Carrier {PLCC}
 (P-28)
 Dimensions shown in inches and (millimeters)

042608-A

ADG406/ADG407/ADG426



COMPLIANT TO JEDEC STANDARDS MO-150-AH

Figure 39. 28-Lead Shrink Small Outline Package [SSOP]
(RS-28)

Dimensions shown in millimeters

060106-A

ORDERING GUIDE

| Model ¹ | Temperature Range | Package Description | Package Option ² |
|--------------------|-------------------|---------------------|-----------------------------|
| ADG406BN | -40°C to +85°C | 28-Lead PDIP | N-28-2 |
| ADG406BNZ | -40°C to +85°C | 28-Lead PDIP | N-28-2 |
| ADG406BP | -40°C to +85°C | 28-Lead PLCC | P-28 |
| ADG406BP-REEL | -40°C to +85°C | 28-Lead PLCC | P-28 |
| ADG406BPZ | -40°C to +85°C | 28-Lead PLCC | P-28 |
| ADG406BPZ-REEL | -40°C to +85°C | 28-Lead PLCC | P-28 |
| ADG407BN | -40°C to +85°C | 28-Lead PDIP | N-28-2 |
| ADG407BNZ | -40°C to +85°C | 28-Lead PDIP | N-28-2 |
| ADG407BP | -40°C to +85°C | 28-Lead PLCC | P-28 |
| ADG407BP-REEL | -40°C to +85°C | 28-Lead PLCC | P-28 |
| ADG407BPZ | -40°C to +85°C | 28-Lead PLCC | P-28 |
| ADG407BPZ-RL | -40°C to +85°C | 28-Lead PLCC | P-28 |
| ADG407BCHIPS | -40°C to +85°C | | DIE |
| ADG426BN | -40°C to +85°C | 28-Lead PDIP | N-28-2 |
| ADG426BNZ | -40°C to +85°C | 28-Lead PDIP | N-28-2 |
| ADG426BRS | -40°C to +85°C | 28-Lead SSOP | RS-28 |
| ADG426BRS-REEL | -40°C to +85°C | 28-Lead SSOP | RS-28 |
| ADG426BRS-REEL7 | -40°C to +85°C | 28-Lead SSOP | RS-28 |
| ADG426BRSZ | -40°C to +85°C | 28-Lead SSOP | RS-28 |
| ADG426BRSZ-REEL | -40°C to +85°C | 28-Lead SSOP | RS-28 |

¹ Z = RoHS Compliant Part.

² N = Plastic DIP, P = Plastic Leaded Chip Carrier (PLCC), RS = Shrink Small Outline Package (SSOP).

Mouser Electronics

Authorized Distributor

Click to View Pricing, Inventory, Delivery & Lifecycle Information:

Analog Devices Inc.:

[ADG426BRS](#) [ADG407BP-REEL](#) [ADG406BNZ](#) [ADG406BPZ](#) [ADG426BRS-REEL](#) [ADG407BP](#) [ADG426BNZ](#)
[ADG406BP](#) [ADG406BPZ-REEL](#) [ADG407BNZ](#) [ADG407BPZ](#) [ADG426BRSZ-REEL](#) [ADG406BP-REEL](#) [ADG426BRSZ](#)
[ADG426BRS-REEL7](#)