



80×80×38 mm

San Ace 80 9G type

General Specifications

- Material Frame: Plastic (Flammability: UL 94V-0), Impeller: Plastic (Flammability: UL 94V-0)
- Expected life See the table below. (L10 life: 90% survival rate for continuous operation in free air at 60°C, rated voltage)
- Motor protection function Locked rotor burnout protection, Reverse polarity protection
For details, please refer to p. 547.
- Dielectric strength 50/60 Hz, 500 VAC, for 1 minute (between lead wire conductors and frame)
- Insulation resistance 10 MΩ or more with a 500 VDC megger (between lead wire conductors and frame)
- Sound pressure level (SPL) At 1 m away from the air inlet
- Storage temperature -30 to +70°C (Non-condensing)
- Lead wire ⊕Red ⊖Black (Sensor) Yellow
- Mass 170 g

Specifications

The models listed below **have ribs and pulse sensors.** For models without ribs, append "1" to the end of model numbers.

Model no.	Rated voltage [V]	Operating voltage range [V]	Rated current [A]	Rated input [W]	Rated speed [min ⁻¹]	Max. airflow [m ³ /min] [CFM]	Max. static pressure [Pa] [inchH ₂ O]	SPL [dB (A)]	Operating temperature [°C]	Expected life [h]
9G0812K101	12	10.8 to 13.2	1.8	21.6	7800	3.1 107.3	310 1.285	58	-20 to +60	40000/60°C
9G0812G101		7 to 13.8	1.1	13.2	6300	2.55 90	211 0.847	51		
9G0812H101			0.9	10.8	5700	2.28 80	171 0.687	49		
9G0824G101	24	20.4 to 27.6	0.56	13.4	6300	2.55 90	211 0.847	51		
9G0824H101			0.42	10.1	5700	2.28 80	171 0.687	49		
9G0848G101	48	40.8 to 55.2	0.27	13.0	6300	2.55 90	211 0.847	51		
9G0848H101			0.2	9.6	5700	2.28 80	171 0.687	49		

The following sensor and control options are available for selection.

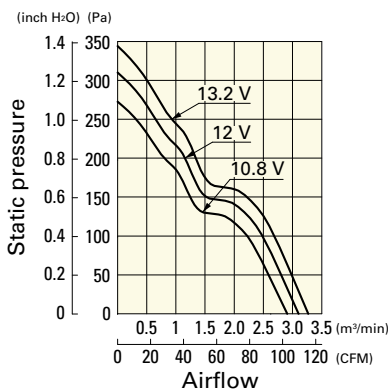
Available for all models. **Without sensor**

Differs according to the model. Refer to the table on p. 568. **Lock sensor** **PWM control**

Airflow - Static Pressure Characteristics

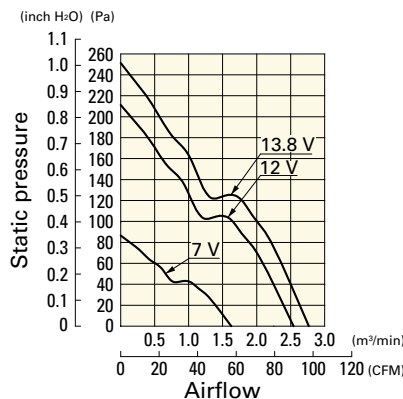
9G0812K101 With pulse sensor

Operating voltage range



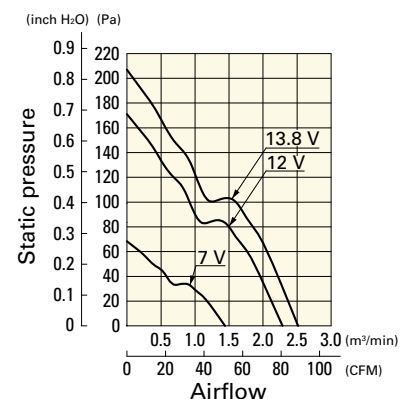
9G0812G101 With pulse sensor

Operating voltage range



9G0812H101 With pulse sensor

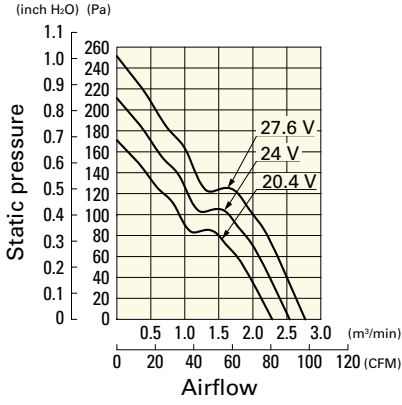
Operating voltage range



Airflow - Static Pressure Characteristics

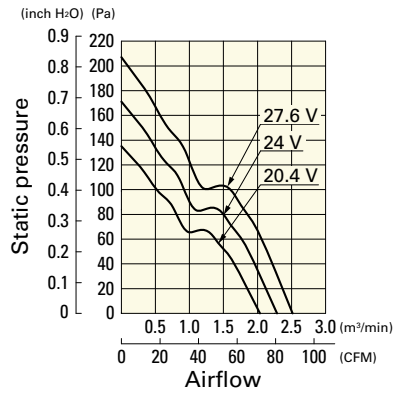
9G0824G101 With pulse sensor

Operating voltage range



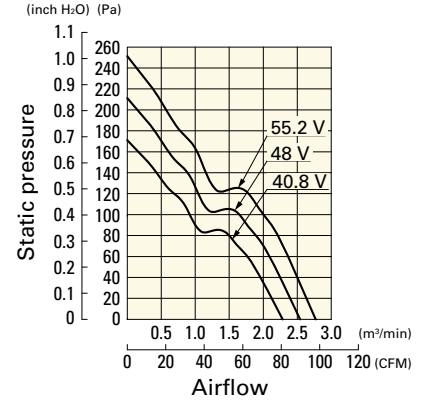
9G0824H101 With pulse sensor

Operating voltage range



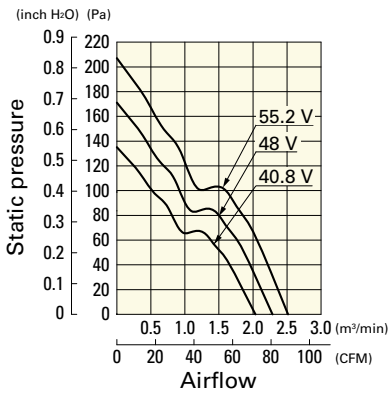
9G0848G101 With pulse sensor

Operating voltage range

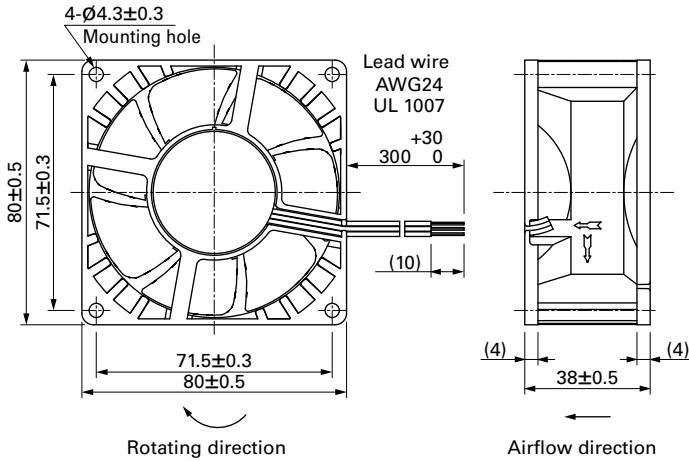


9G0848H101 With pulse sensor

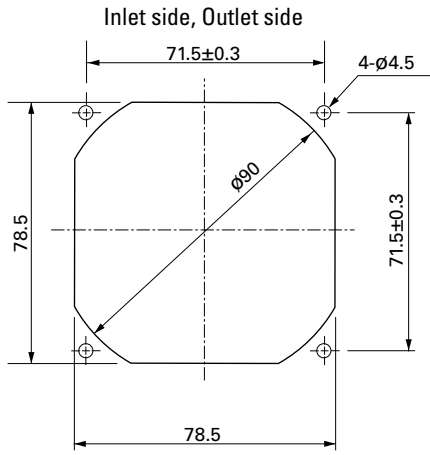
Operating voltage range



Dimensions (unit: mm) (With ribs)



■ Reference Dimensions of Mounting Holes and Vent Opening (unit: mm)



■ Options

Finger guards

page: p. 532

Model no.: 109-049E, 109-049H, 109-049C

Resin finger guards

page: p. 539

Model no.: 109-1002G

Resin filter kits

page: p. 540

Model no.: 109-1002F13 (13PPI), 109-1002F20 (20PPI),
109-1002F30 (30PPI), 109-1002F40 (40PPI)

Mouser Electronics

Authorized Distributor

Click to View Pricing, Inventory, Delivery & Lifecycle Information:

Sanyo Denki:

[9G0812G1011](#) [9G0812P1H03](#) [9G0824G1011](#) [9G0812H1011](#) [9G0824H1011](#) [9G0848H1011](#) [9G0824H101](#)
[9G0848H101](#) [9G0824G102](#) [9G0848G1011](#) [9G0812G101](#) [9G0812H101](#) [9G0848G101](#) [9G0812P1K081](#)
[9G0812K101](#) [9G0824G101](#) [9G0848P1G03](#) [9G0812P1G04](#) [9G0848H1D01](#) [9G0812H102](#) [9G0812P1K08](#)
[9G0848G1D01](#) [9G0812G1D01](#) [9G0824G1021](#) [9G0812K1021](#) [9G0824H1D01](#) [9G0848H102](#) [9G0812K1D01](#)
[9G0824H1D011](#) [9G0812G1021](#) [9G0848H1021](#) [9G0824H1021](#) [9G0812H1021](#) [9G0812H1D01](#) [9G0848G102](#)
[9G0848G1021](#) [9G0824G1D011](#) [9G0812G1D011](#) [9G0824G1D01](#) [9G0812G102](#) [9G0812H1D011](#) [9G0824H102](#)
[9G0812K1011](#) [9GA0812G6001](#) [9G0824P1G04](#) [9GA0812G40011](#) [9GA0812G40021](#) [9GA0812G6002](#)
[9GA0812G4001](#) [9GA0812G4002](#) [9G0848P1H04](#) [9G0812K102](#) [9G0812P1G081](#) [9G0812P1H051](#) [9GA0812G7001](#)