

10/100M Single Port Tab-Down

Trxcom Technology Inc

※ Designed to support applications, such as SOHO (ADSL modems), LAN-on-Motherboard (LOM), Hub and Switches.

※ 1x1 Tab-DOWN RJ45 with internal magnetics

※ Available with or without LEDs

※ Meets or exceeds IEEE 802.3 standard for 10/100Base-T

※ 350uH minimum OCL with 8 mA bias current

※ RoHS compliant

※ Peak temperature $260 \pm 5^{\circ}\text{C}$



10 Base-T

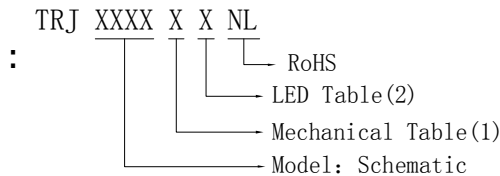
Part Number		Data Rate	Pri OCL (uH MIN)	Turns Ratios		Insertion Loss (dB MAX)	Return Loss (dB MIN) 100Ω±15Ω	Crosstalk (dB MIN)	Common Mode Rejection (dB MIN)	Hipot (Vrms)
STD temp ¹	EXT temp ²			TX	RX	1-10 MHz	1-10 MHz	1-10 MHz	5 MHz	@ 60Hz 1 MIN
TRJ0015	TRJ4015	10 BT	200	1CT:2.5CT	1CT:1CT	-1	-15	-30	-25	1500
TRJ0022	TRJ4022	10 BT	150	1CT:1CT	1CT:1CT	-1	-15	-30	-25	1500
TRJ0055	TRJ4055	10 BT	200	1CT:2.5	1CT:1	-1	-15	-30	-25	1500
TRJ0057	TRJ4057	10 BT	200	1CT:2.5CT	1CT:1CT	-1	-15	-30	-25	1500
TRJ0125	TRJ4125	10BT	200	1CT:1.41	1CT:1	-1	-15	-30	-25	1500
TRJ0215	TRJ4215	10BT	200	1CT:1	1CT:1	-1	-15	-30	-25	1500

10/100 Base-T

Part Number		Turns Ratios		Insertion Loss (dB MAX)	Return Loss (dB MIN) 100Ω±15Ω				Crosstalk (dB MIN)			Common Mode Rejection (dB MIN)	Hipot (Vrms)	
STD temp ¹	EXT temp ²	TX	RX	1-65 MHz	1-10 MHz	10-30 MHz	30-60 MHz	60-100 MHz	1-30 MHz	30-60 MHz	60-100 MHz	1- 50 MHz	50-150 MHz	@ 60Hz 1 MIN
TRJ0006	TRJ4006		1CT:1	-1	-20	-16	-12	-10	-40	-35	-30	-30	-20	1500
TRJ0011	TRJ4011	1CT:1CT	1CT:1CT	-1	-20	-16	-12	-10	-40	-35	-30	-30	-20	1500
TRJ0012	TRJ4012	1CT:1CT	1CT:1CT	-1	-20	-16	-12	-10	-40	-35	-30	-30	-20	1500
TRJ0013	TRJ4013	1CT:1CT	1CT:1CT	-1	-20	-18	-12	-10	-40	-35	-30	-30	-20	1500
TRJ0014	TRJ4014	1CT:1CT	1CT:1CT	-1	-20	-18	-12	-10	-40	-35	-30	-30	-20	1500
TRJ0017	TRJ4017	1CT:1CT	1CT:1CT	-1	-20	-16	-12	-10	-40	-35	-30	-30	-20	1500
TRJ0018	TRJ4018	1CT:1.4CT	1CT:1CT	-1	-20	-16	-12	-10	-40	-35	-30	-30	-20	1500
TRJ0026	TRJ4026	1CT:1	1CT:1CT	-1	-20	-16	-12	-10	-40	-35	-30	-30	-20	1500
TRJ0037	TRJ4037	1CT:1CT	1CT:1CT	-1	-20	-16	-12	-10	-40	-35	-30	-30	-20	1500
TRJ0048	TRJ4048	1CT:1	1CT:1	-1	-20	-16	-12	-10	-40	-35	-30	-30	-20	1500
TRJ0073	TRJ4073	1CT:2.5	1CT:1	-1	-20	-16	-12	-10	-40	-35	-30	-30	-20	1500
TRJ0107 ³	TRJ4107 ³	1CT:1CT	1CT:1CT	-1.1	-18	-18	-14	-10	-43	-43	-38	-50	-20	1500

NOTE: 1.Standard(STD) operating temperature are 0°C to +70°C. 2.Extended(EXT) operating temperature are -40°C to +85°C.

3. This part supports PoE function.



(1) TRJ Series Mechanical:

Code	Description
A	With Staggered Led Footprint and EMI-Finger
B	With Staggered Led Footprint and Non EMI-Finger
C	Without Led, with EMI-Finger
D	Without Led and EMI-Finger
E	With Inline Led Footprint and EMI-Finger(4.90mm*)
F	With Inline Led Footprint and Non EMI-Finger(4.90mm*)
G	With Inline Led Footprint and EMI-Finger(4.06mm*)
H	With Inline Led Footprint and Non EMI-Finger(4.06mm*)

*" The distance of led pin to plastic post.

(2) LED Ordering Options:

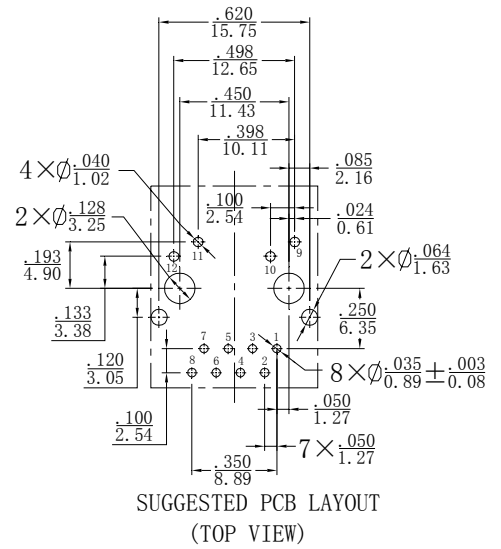
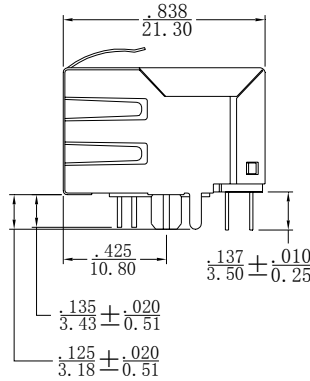
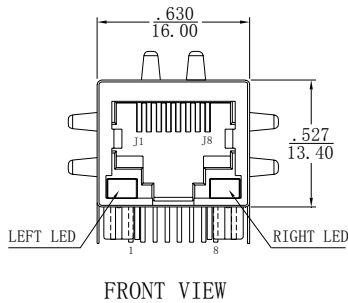
LED CODE	LED COLOR		LED POLARITY
	LEFT LED	RIGHT LED	
A	YELLOW	GREEN	
B	GREEN	YELLOW	
C	GREEN	GREEN	
D	YELLOW	GREEN	
E	GREEN	YELLOW	
F	GREEN	GREEN	
G	YELLOW	GREEN	
H	GREEN	YELLOW	
W	GREEN	GREEN	

10/100M Single Port Tab-Down

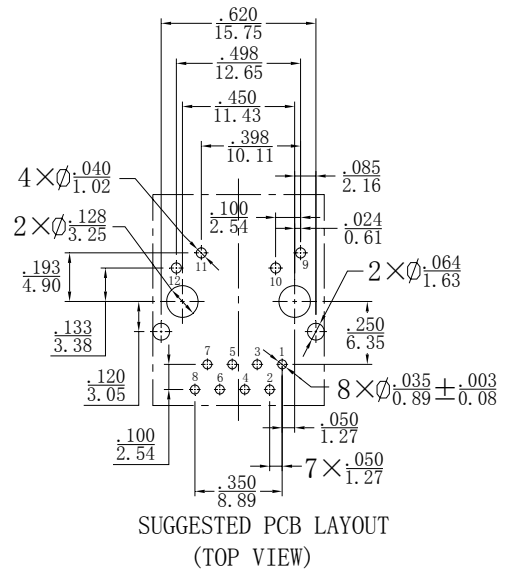
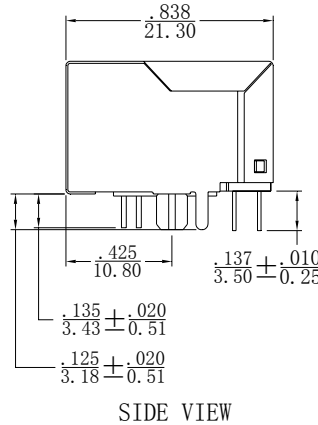
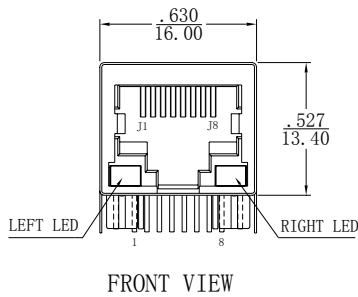
Trxcom Technology Inc

TRJ00XXXXNL Series Mechanicals

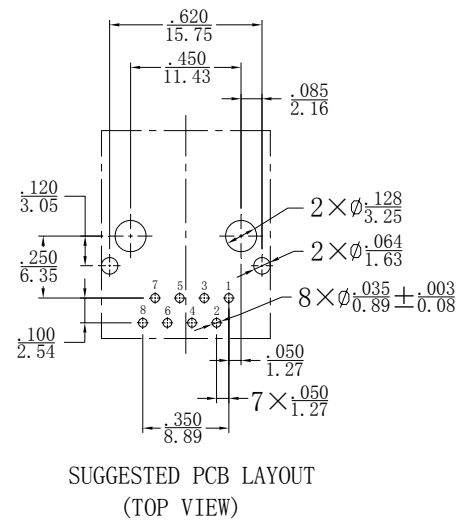
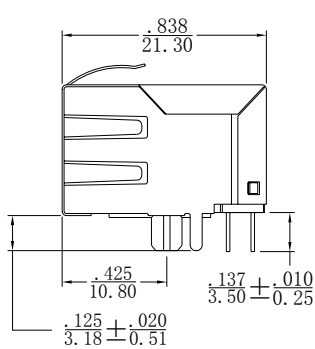
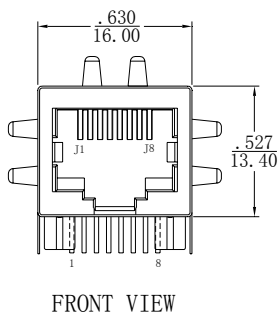
A



B



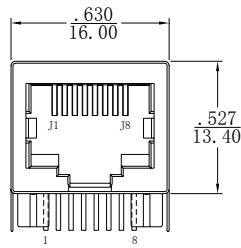
C



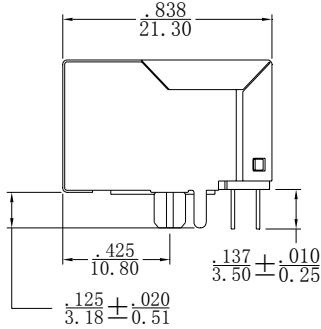
10/100M Single Port Tab-Down

Trxcom Technology Inc

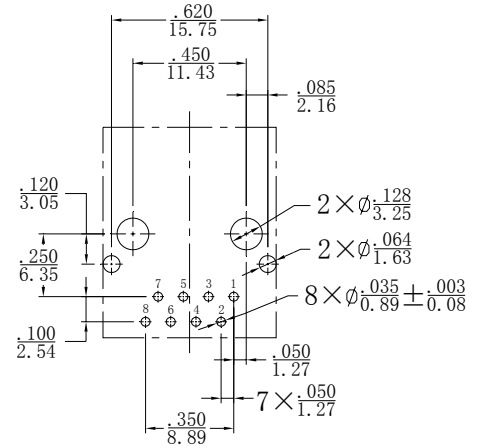
D



FRONT VIEW

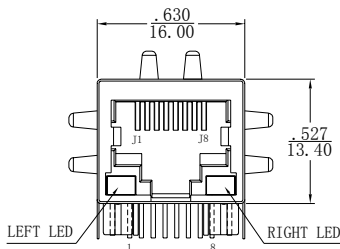


SIDE VIEW

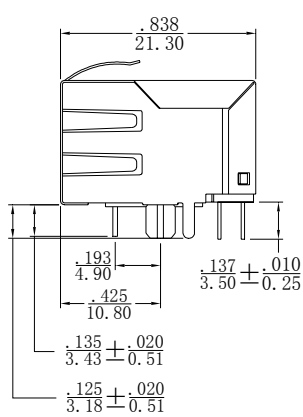


SUGGESTED PCB LAYOUT (TOP VIEW)

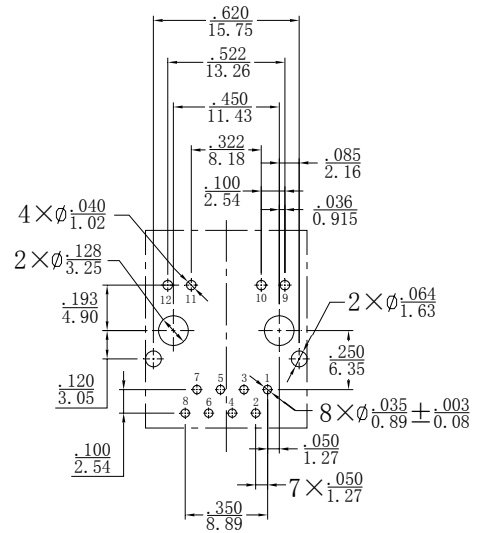
E



FRONT VIEW

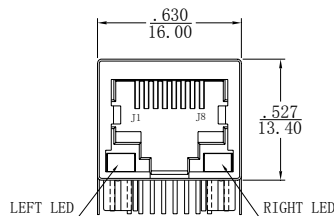


SIDE VIEW

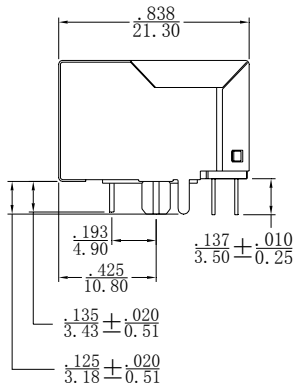


SUGGESTED PCB LAYOUT (TOP VIEW)

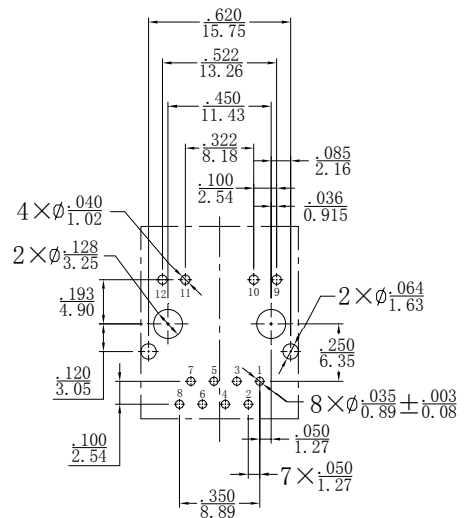
F



FRONT VIEW



SIDE VIEW

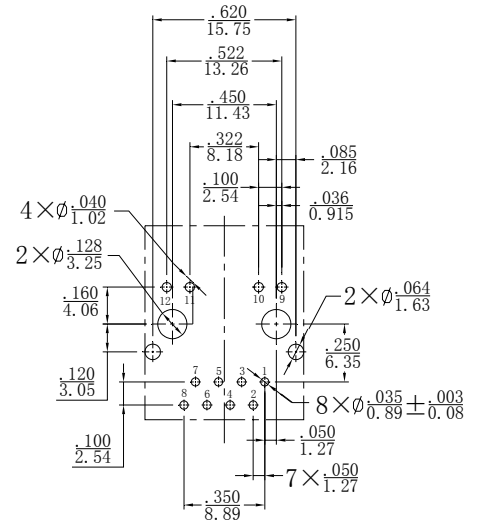
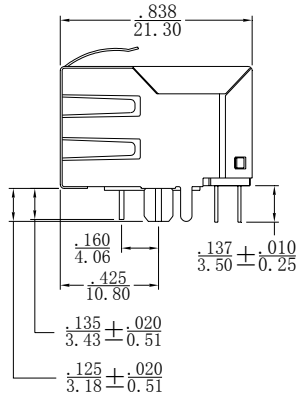
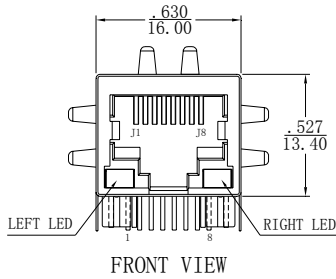


SUGGESTED PCB LAYOUT (TOP VIEW)

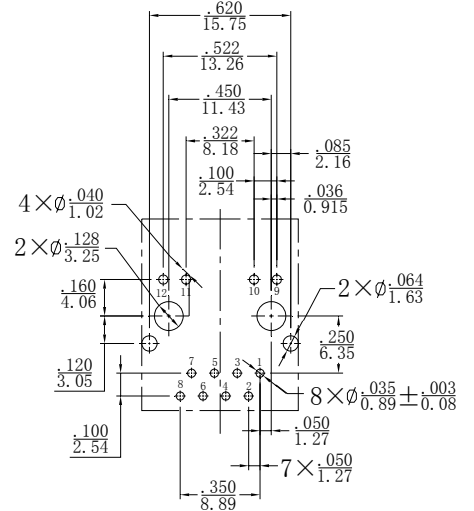
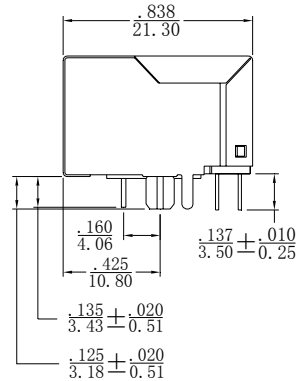
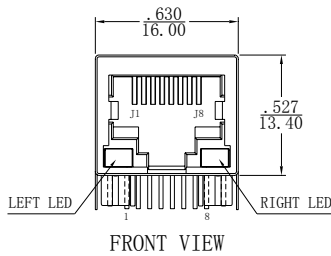
10/100M Single Port Tab-Down

Trxcom Technology Inc

G



H



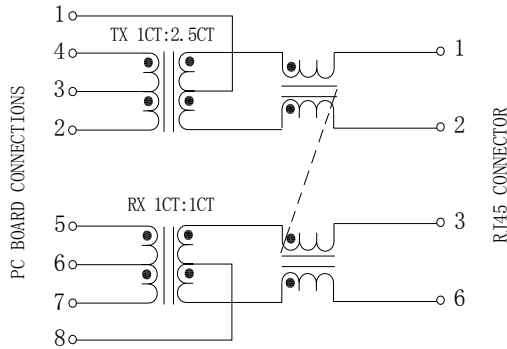
Dimensions: Inch/mm
 Unless otherwise specified,
 all tolerances are $\pm 0.25^{.010}$

10M Single Port Tab-Down

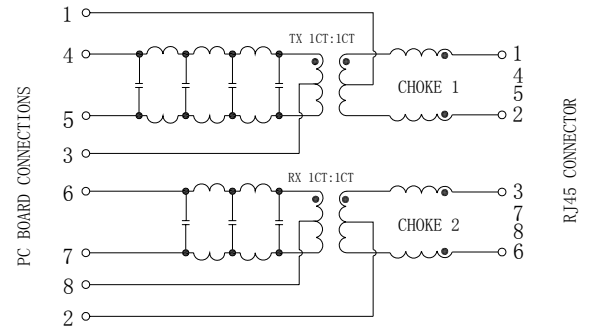
Trxcom Technology Inc

Schematics

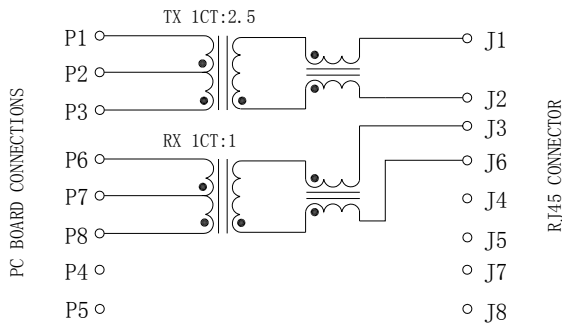
TRJ0015



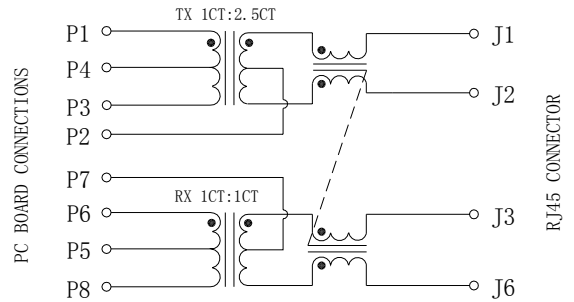
TRJ0022



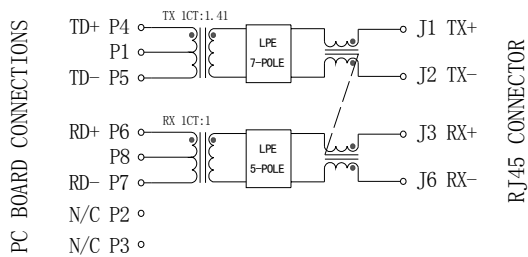
TRJ0055



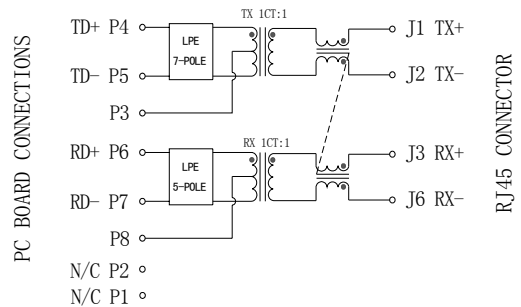
TRJ0057



TRJ0125



TRJ0215

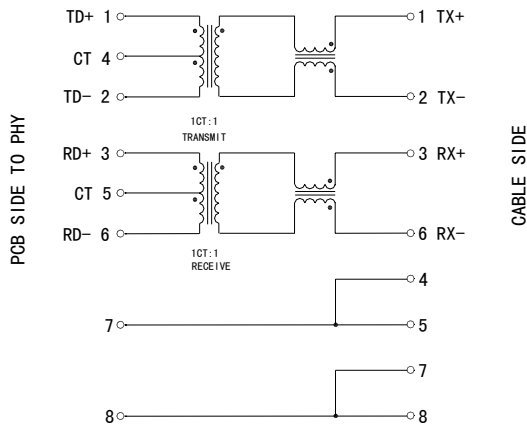


10/100M Single Port Tab-Down

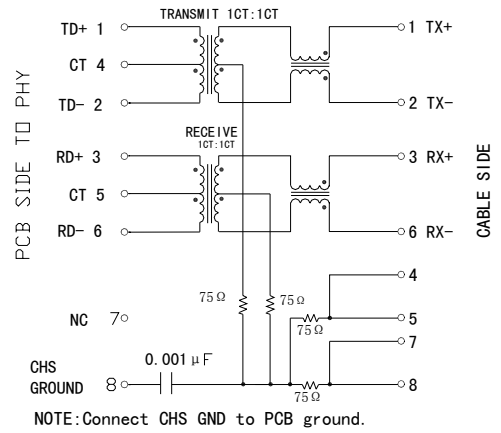
Trxcom Technology Inc

Schematics

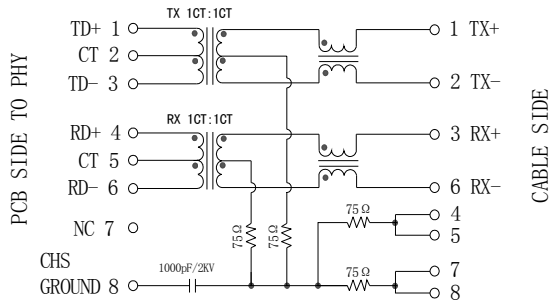
TRJ0006



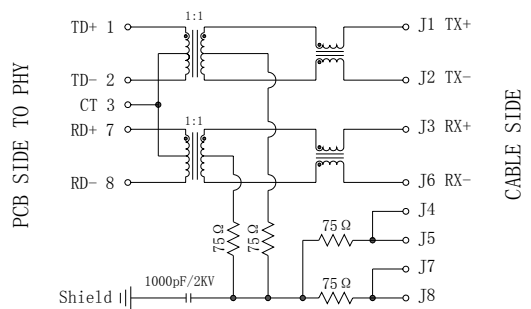
TRJ0011



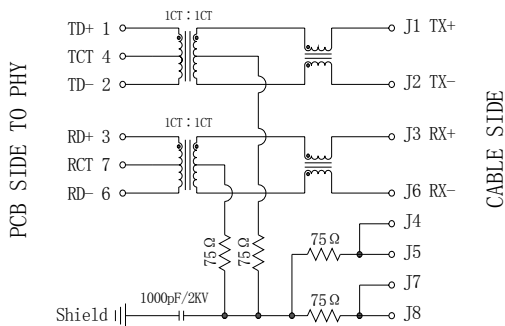
TRJ0012



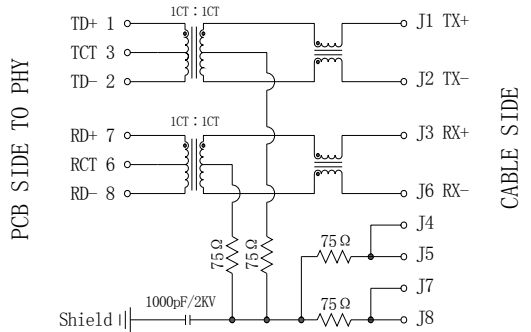
TRJ0013



TRJ0014



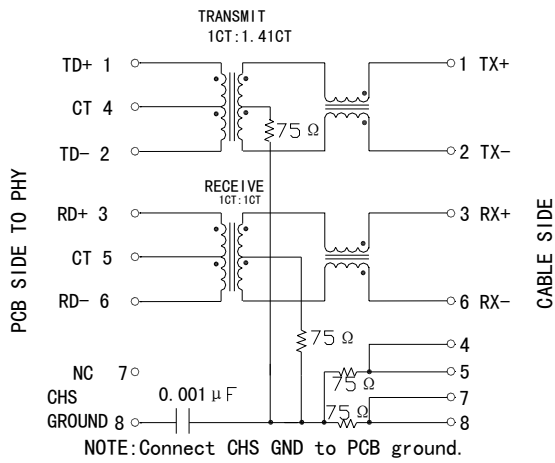
TRJ0017



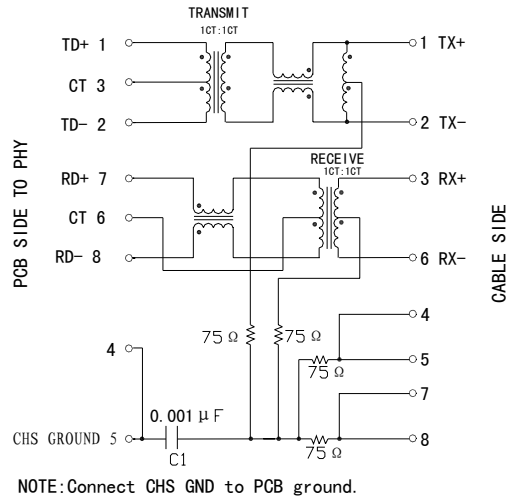
10/100M Single Port Tab-Down

Trxcom Technology Inc

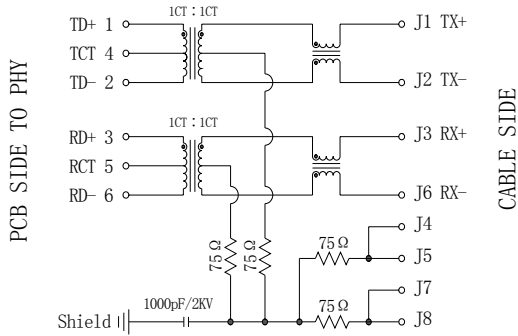
TRJ0018



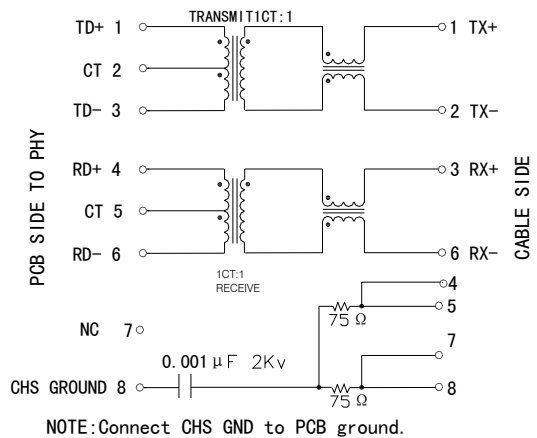
TRJ0026



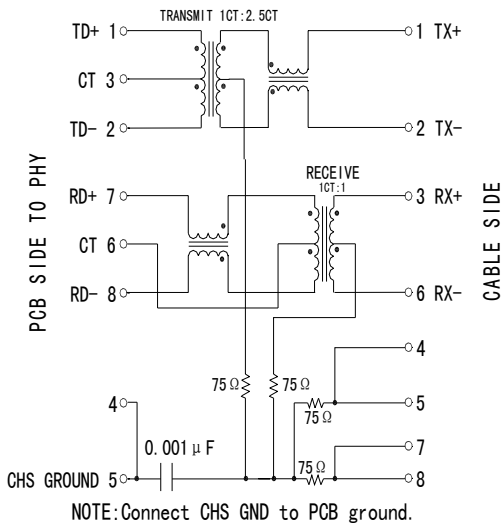
TRJ0037



TRJ0048



TRJ0073



TRJ0107

