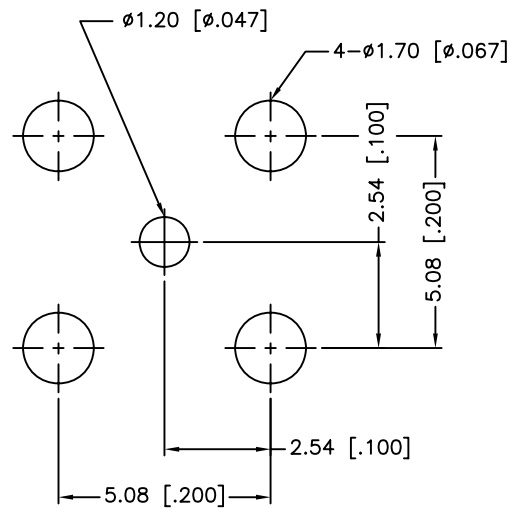
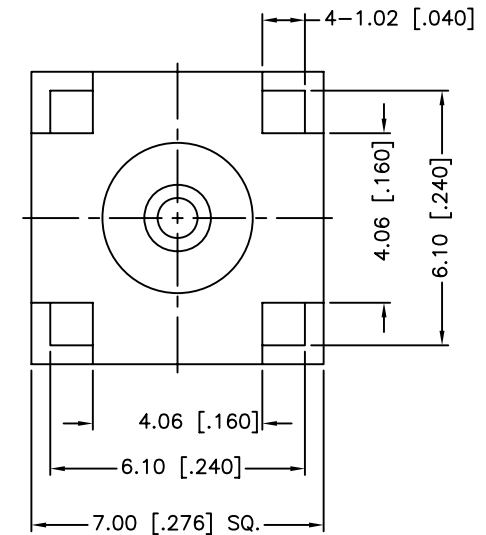
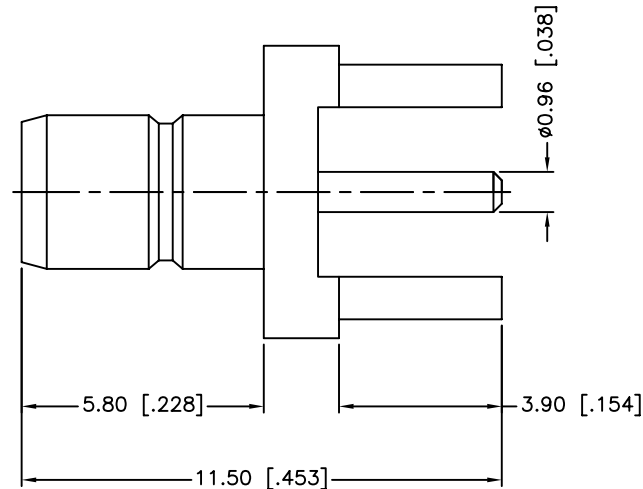


REV.	DATE	ECR NO.	DESCRIPTION
A	12/09/03	XXXXXX	UPDATE DRAWING FORMAT
B	11/21/11	2258	ADD NOTES



PCB MOUNTING HOLES



1. OPERATING TEMPERATURE RANGE: -65°C TO +165°C
2. MAX SHORT TERM TEMP FOR REFLOW: 260°C FOR ABOUT 10 SECONDS
3. 50 PCS OF THE CONNECTOR IN ITS OWN BAG

UNLESS OTHERWISE SPECIFIED DIMENSIONS ARE IN MILLIMETERS. DIMENSIONS IN [] ARE IN INCHES AND FOR CUSTOMER REFERENCE ONLY.

UNLESS OTHERWISE SPECIFIED TOLERANCES FOR MILLIMETERS ARE:
0.5 - 8mm ± 0.20mm
8 - 30mm ± 0.40mm
30 - 120mm ± 0.50mm

UNLESS OTHERWISE SPECIFIED TOLERANCES FOR INCHES ARE:
.020 - .315 = ± 0.007"
.315 - 1.180 = ± 0.015"
1.180 - 4.724 = ± 0.020"

DO NOT SCALE DRAWING

APPROVALS		DATE
DRAWN	M.ZHANG	11/21/11
CHECKED		
ISSUED		
SHEET	1 OF 1	
CAD FILE	C:/CONNEX/142138.DWG	

Amphenol Connex

PART DESCRIPTION			
SMB P.C. MOUNT JACK			
PART NO.		142138	
DWG. NO.	142138.DWG	REV.	B
SIZE	A	SCALE	NA

QTY	FINISH	MATERIAL	DESCRIPTION
1	GOLD	BRASS	CONTACT PIN
1	NATURAL	PTFE	INSULATOR
1	GOLD	BRASS	BODY

Mouser Electronics

Authorized Distributor

Click to View Pricing, Inventory, Delivery & Lifecycle Information:

[Amphenol:](#)

[142138](#)