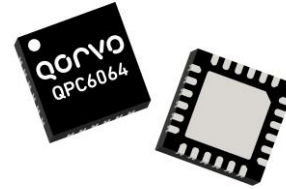


# QPC6064

Absorptive High Isolation SP6T Switch  
 5 MHz to 6000 MHz



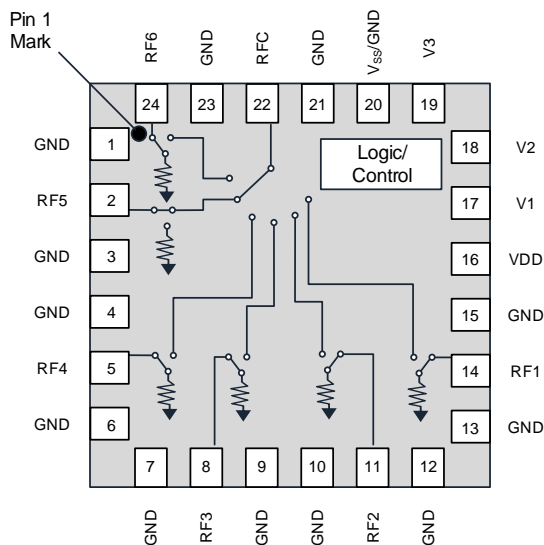
The QPC6064 is a Silicon on Insulator (SOI) single-pole, 6-throw (SP6T) switch, designed for use in cellular, 3G, LTE, and other high performance communications systems. It offers high isolation symmetric topology with excellent linearity and power handling capability. No blocking capacitors are necessary on the RF ports. The design is non-reflective such that the RFX ports are terminated into 50  $\Omega$  in the off state. QPC6064 is +1.8 V logic compatible, and incorporates a single pin to disable the internal Negative Voltage Generator (NVG) and supply a negative voltage from off-chip, if necessary.

Package: QFN, 24-pin,  
 4.0 mm x 4.0 mm

## Features

- 5 MHz to 6000 MHz Operation
- Non-Reflective (RFX ports)
- Terminated All-Off State mode
- No Blocking Caps Necessary unless voltage is on RF Line
- High Isolation: 50 dB at 2 GHz
- High Input IP3: +59 dBm
- 2 kV ESD
- +1.8 V Logic Compatible

## Functional Block Diagram



## Ordering Information

QPC6064SQ	Sample Bag with 25 pieces
QPC6064SR	7" Reel with 100 pieces
QPC6064TR13	13" Reel with 2500 pieces
QPC6064PCK401	5 MHz to 6000 MHz PCBA with 5-Piece Sample Bag

## Applications

- Cellular, 3G, LTE Infrastructure
- WiBro, WiMAX, LTE
- High Performance Communications Systems
- Test Equipment

# QPC6064

## Absolute Maximum Ratings

Parameter	Rating	Units
Supply Voltage	+6	V
Control Voltage	-0.2 to +6	V
V <sub>SS</sub> Supply	-6	V
Max RF Input Power, RFC/RFX non-terminated	+37.5	dBm
Max RF Input Power, RFX terminated	+29	dBm
Operating Temperature	-40 to +105	°C
Storage Temperature	-40 to +150	°C
Maximum Junction Temperature	+125	°C
ESD Rating	Human Body Model (HBM)	2000
	Charge Device Model (CDM)	1000
Moisture Sensitivity Level (MSL) Rating	2	-



Caution! ESD sensitive device.



RFMD Green: RoHS status based on EU Directive 2011/65/EU (at time of this document revision), halogen free per IEC 61249-2-21, < 1000 ppm each of antimony trioxide in polymeric materials and red phosphorus as a flame retardant, and <2% antimony in solder.

Exceeding any one or a combination of the Absolute Maximum Rating conditions may cause permanent damage to the device. Extended application of Absolute Maximum Rating conditions to the device may reduce device reliability. Specified typical performance or functional operation of the device under Absolute Maximum Rating conditions is not implied.

## Recommended Operating Conditions

Parameter	Specifications			Units
	Min	Typ	Max	
Operating Temperature Range	-40	+25	+105	°C
Operating Junction Temperature			+125	°C
Supply Voltage	+2.7	+5.0	+5.5	V
V <sub>SS</sub> Supply (Applicable for off-chip negative supply, otherwise 0V (zero) for internal NVG operation)	-5.5	-5.0	-2.7	V

## Electrical Specifications

Parameter	Specification			Units	Conditions
	Min	Typ	Max		
Operating Frequency Range	5		6000	MHz	
Insertion Loss		1.02		dB	450 MHz
		1.07		dB	900 MHz
		1.18	1.3	dB	2100 MHz
		1.25		dB	2600 MHz
		1.41		dB	4000 MHz
		2.02		dB	6000 MHz
Isolation (RFC – RFX)		72		dB	450 MHz
		66		dB	900 MHz
	45	57		dB	2100 MHz for RF1 thru RF5
	35	40		dB	2100MHz for RF6
		56		dB	2600 MHz
		52		dB	4000 MHz
		48		dB	6000 MHz

Test conditions unless otherwise specified: T<sub>A</sub> = +25 °C, V<sub>CTRL</sub> = 0/+5 V, V<sub>DD</sub> = +5 V, 50 Ω system, Standard Application Circuit

# QPC6064

## Electrical Specifications (contd.)

Parameter	Specification			Units	Conditions
	Min	Typ	Max		
Isolation (RFX – RFX)		65		dB	450 MHz
		59		dB	900 MHz
		51		dB	2100 MHz
		49		dB	2600 MHz
		44		dB	4000 MHz
		40		dB	6000 MHz
Return Loss (RFX On-State)		29		dB	450 MHz
		30		dB	900 MHz
		27		dB	2100 MHz
		21		dB	2600 MHz
		20		dB	4000 MHz
		10		dB	6000 MHz
Return Loss (RFX Off-State)		32		dB	450 MHz
		27		dB	900 MHz
		21		dB	2100 MHz
		21		dB	2600 MHz
		20		dB	4000 MHz
		14		dB	6000 MHz
Input IP2		+117		dBm	1 GHz
Input IP3	+55	+59		dBm	1 GHz, +17 dBm/tone, 1 MHz tone spacing
Input P1dB		+36		dBm	
Settling Time		1	4	μs	50% V <sub>CTRL</sub> to optimum functionality
Start-up Time		5	25	μs	90% V <sub>DD</sub> to full functionality
Switching Speed		150	500	ns	50 % control to 10/90 % RF
NVG Spur		-104		dBm	Internal NVG on.

Test conditions unless otherwise specified: T<sub>A</sub> = +25 °C, V<sub>CTRL</sub> = 0/+5 V, V<sub>DD</sub> = +5 V, 50 Ω system, Standard Application Circuit

## Electrical Specifications – Power Supply

Parameter	Specification			Units	Conditions
	Min	Typ	Max		
Supply Current (I <sub>DD</sub> )		90		μA	V <sub>DD</sub> = +5 V
Control Current (V1, V2, V3)		1		μA	V <sub>CTRL</sub> = +5 V
V <sub>SS</sub> Current		100		μA	V <sub>SS</sub> = -5 V, NVG is shut down.
Low Control Voltage (V1, V2, V3)	0		+0.63	V	+1.8 V Logic Compatible
High Control Voltage (V1, V2, V3)	+1.1		V <sub>DD</sub>	V	+1.8 V Logic Compatible

Test conditions unless otherwise specified: T<sub>A</sub> = +25 °C, V<sub>CTRL</sub> = 0/+5 V, V<sub>DD</sub> = +5 V, 50 Ω system, Standard Application Circuit

# QPC6064

## Maximum Operating Power at High Temperature, CW, ≥50 MHz, 50 Ω System

Input	Power (dBm) at each port		Theta-J (°C/W)
	+85°C	+105°C	
RFC/ RFX – Active <sup>1</sup>	35.5	32.3	53
RFX – Terminated (1 path)	28.1	25.1	61
RFX – Terminated (2 adjacent paths)	26.6	23.6	86
RFX – Terminated (all paths)	26.2	23.1	96

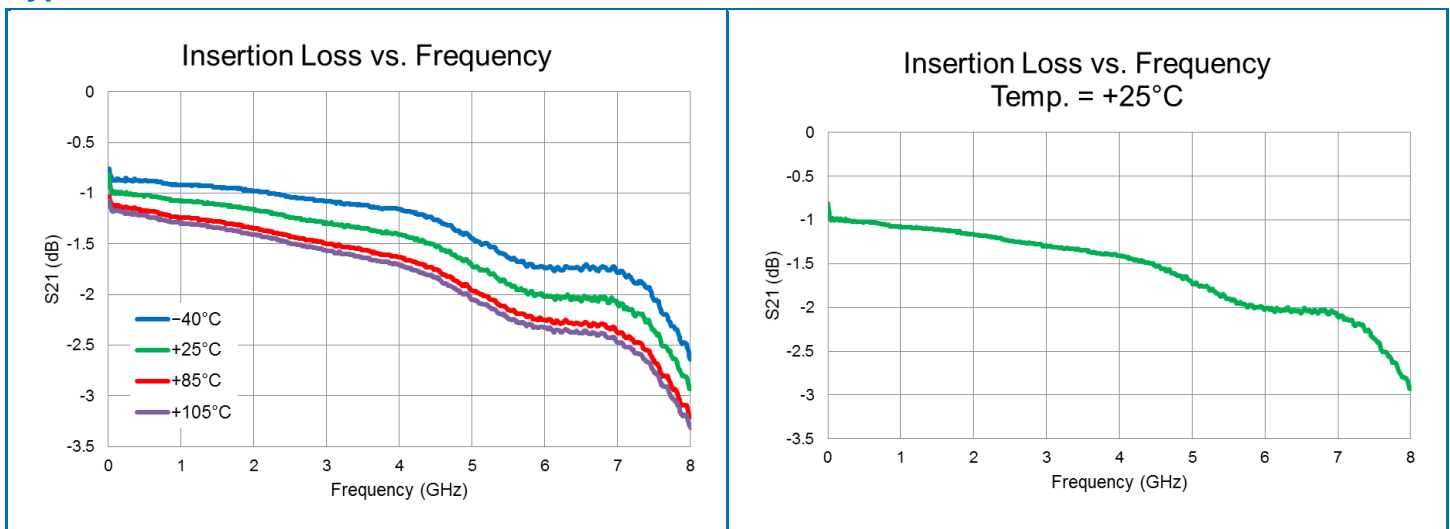
Notes:

- For frequencies <50 MHz, maximum operating power at all temperatures should be at least 2 dB less than P1dB compression from plot.

### Truth Table

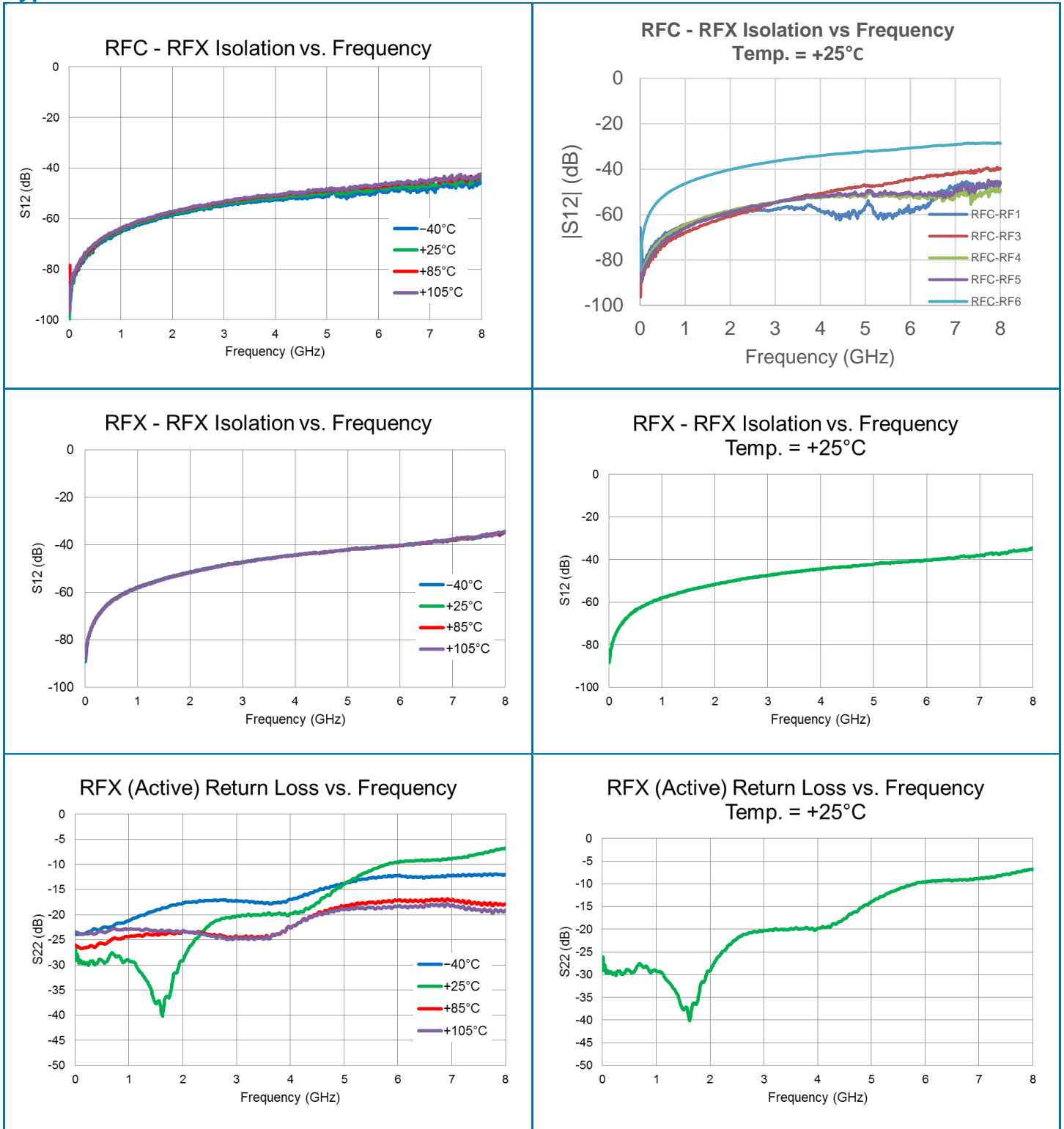
MODE	V1	V2	V3
All Termination State (All Off)	0	0	0
RFC-RF1 Active	1	0	0
RFC-RF2 Active	0	1	0
RFC-RF3 Active	1	1	0
RFC-RF4 Active	0	0	1
RFC-RF5 Active	1	0	1
All Termination State (All Off)	0	1	1
RFC-RF6 Active	1	1	1

### Typical Performance

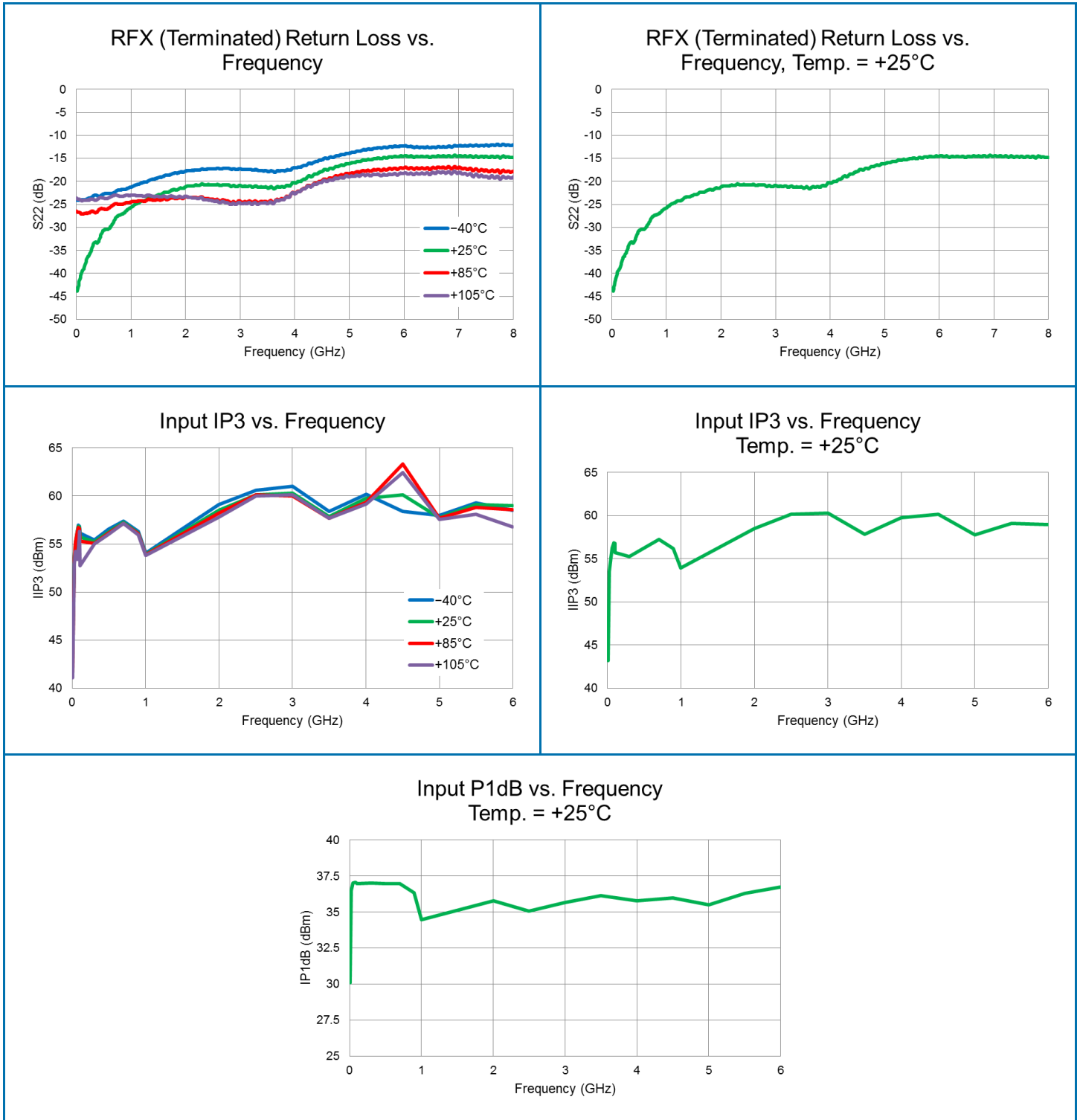


QPC6064

Typical Performance

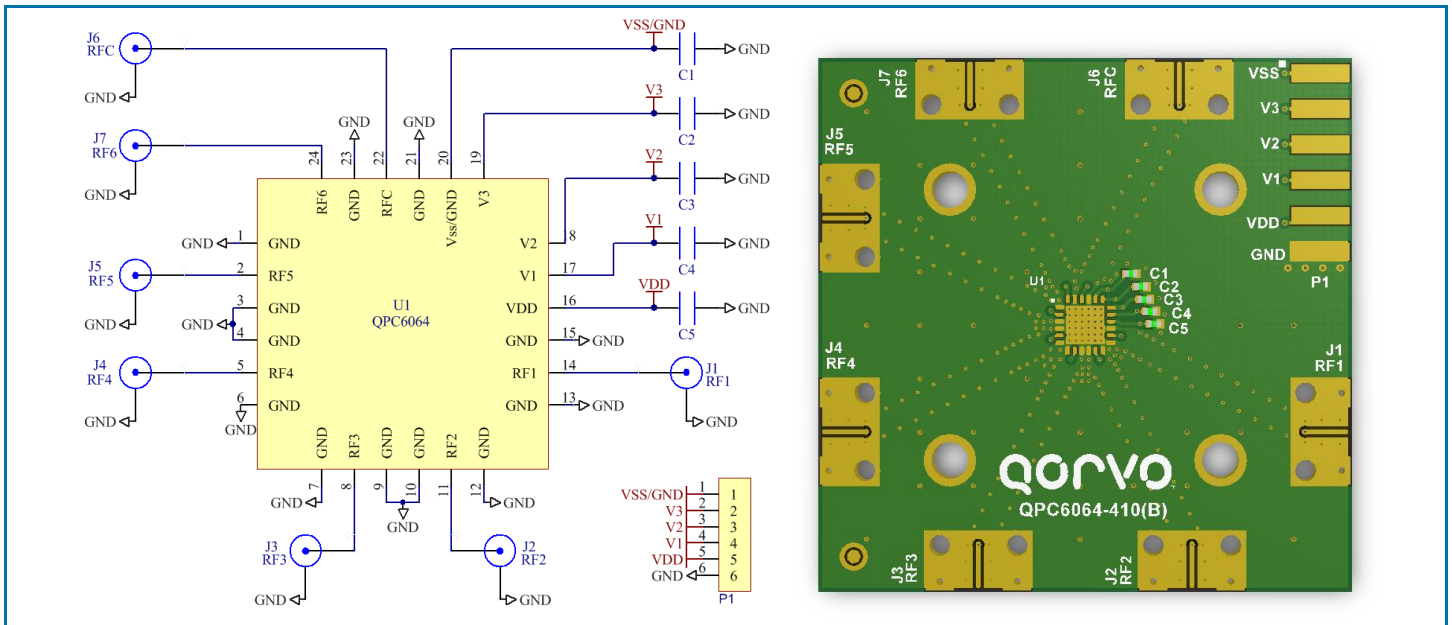


Typical Performance



# QPC6064

## Evaluation Board Schematic and PCB – 5MHz to 6000 MHz Application Circuit



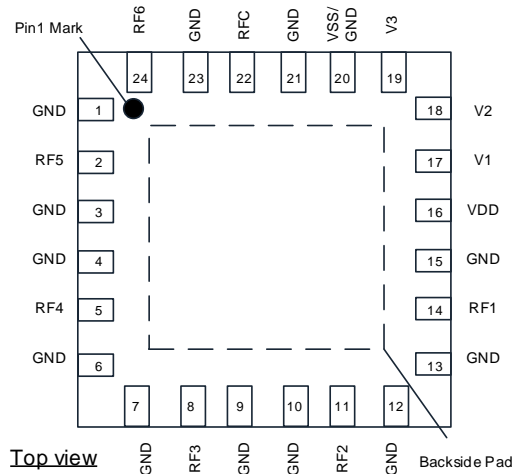
**Note:**  
The QPC6064-410 PCB is used within the family of QPC60x4 products based on the individual BOM per product.

## Evaluation Board Bill of Materials (BOM) - 5 MHz to 6000 MHz Application Circuit

Description	Reference Designator	Manufacturer	Manufacturer's P/N
Evaluation Board	–	Viasystems Technologies Corp.	QPC6064-410(B)
QPC6064	U1	RFMD / Qorvo	QPC6064
CAP, 100 pF, 5 %, 50 V, COG, 0402	C1-C5	Taiyo Yuden	RM UMK105CG101JV-F
CONN, SMA EL FLT VIPER, MAT-21-1038	J1 – J7	Amphenol RF Asia Corp	901-10425
CONN, HDR, ST, PLRZD, 6-PIN	P1	AMP	640454-6

# QPC6064

## Pin Configuration and Description



Pin	Label	Description
1, 3, 4, 5, 7, 9, 10, 12, 13, 15, 21, 23	GND	Connect to Low inductive Path to Ground
2	RF5	RF Port 5
5	RF4	RF Port 4
8	RF3	RF Port 3
11	RF2	RF Port 2
14	RF1	RF Port 1
16	V <sub>DD</sub>	Supply Voltage
17	V1	Control Pin
18	V2	Control Pin
19	V3	Control Pin
20	V <sub>SS</sub> /GND	Negative Voltage Generator (NVG) control pin. Supply GND (Low inductive path to ground) to enable internal NVG or supply -2.7 V to -5 V to disable internal NVG. Once disabled, internal NVG cannot be enabled without cycling VDD.
22	RFC	RF common Port
24	RF6	RF Port 6
Backside Pad	GND	Connect to Low inductive Path to Ground

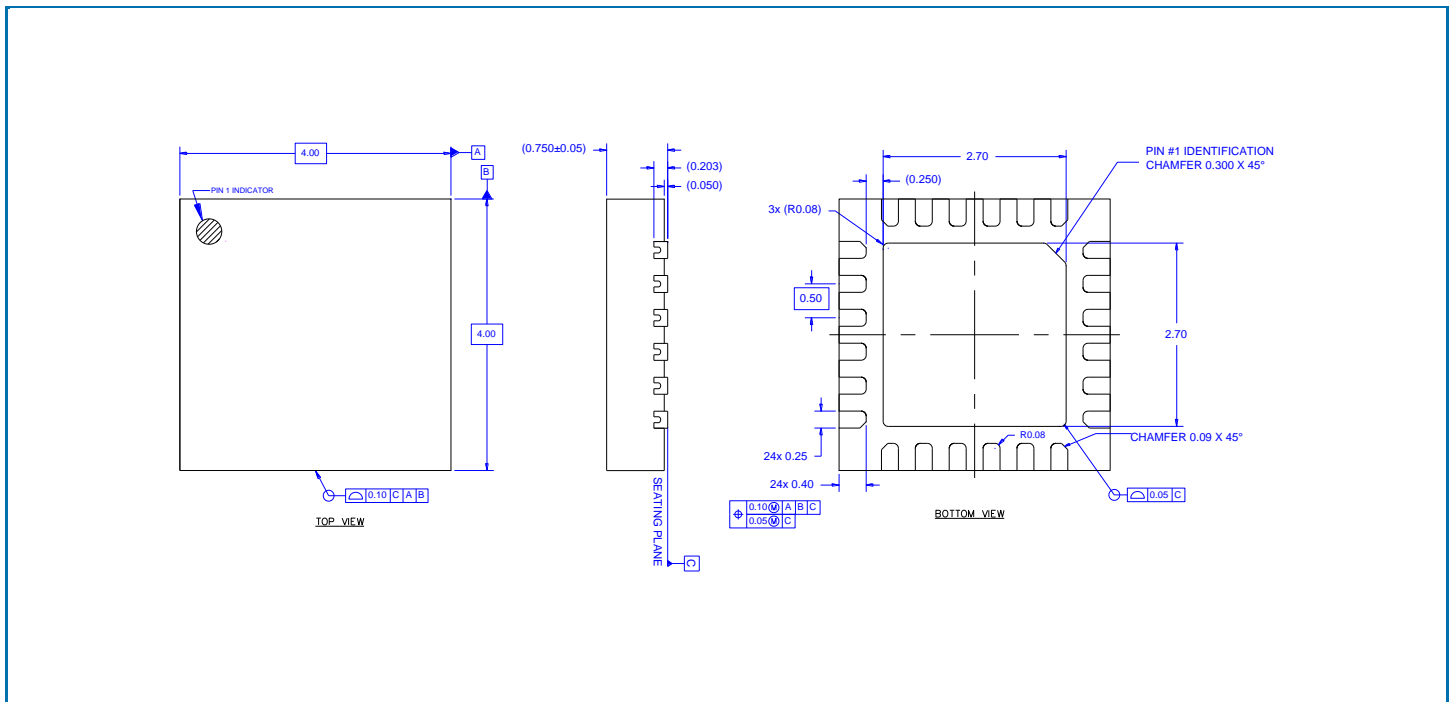


QPC6064

Package Marking

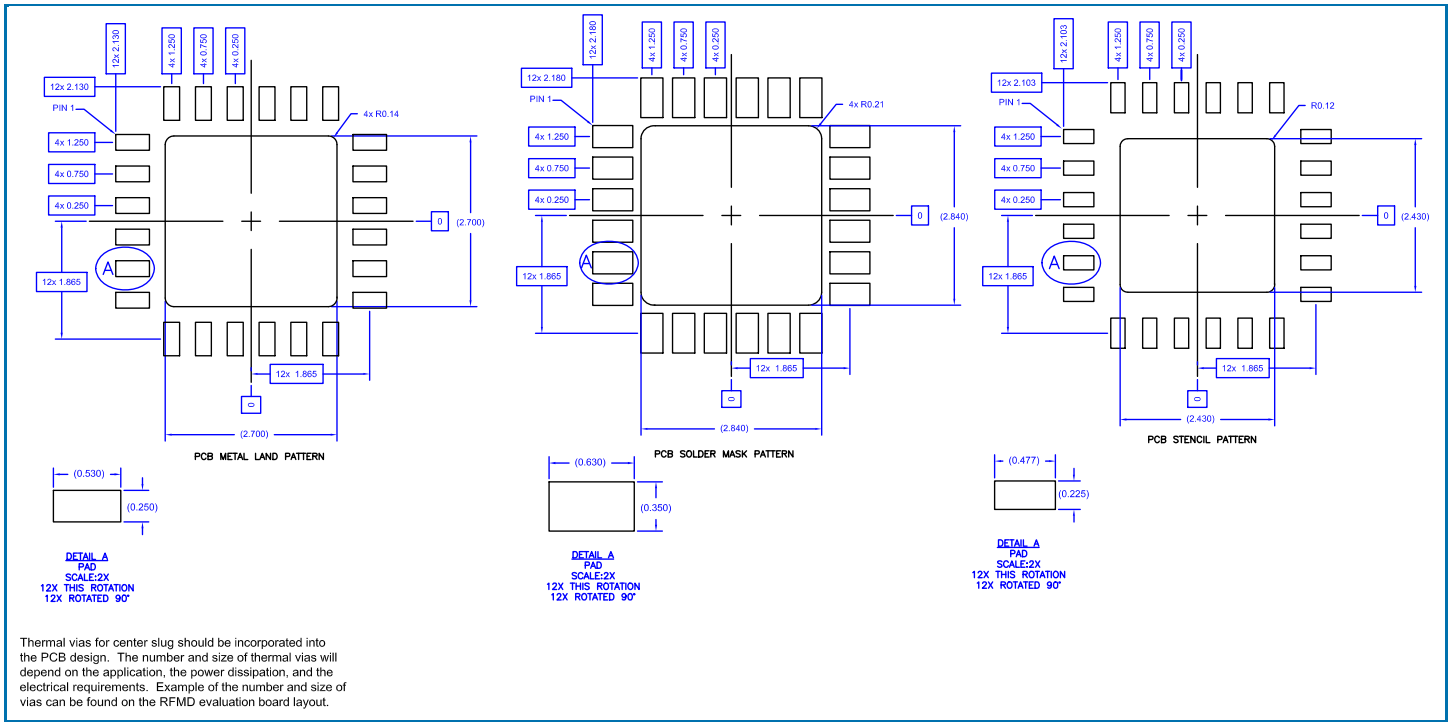


Package Outline (Dimensions in millimeters)



# QPC6064

## PCB/ PCB Soldermask/ PCB Stencil Drawing (Dimensions in millimeters)



### Contact Information

For the latest specifications, additional product information, worldwide sales and distribution locations:

**Web:** [www.rfmd.com](http://www.rfmd.com) **Tel:** 1-844-890-8163  
**Email:** [customer.support@qorvo.com](mailto:customer.support@qorvo.com)

For information about the merger of RFMD and TriQuint as Qorvo:

**Web:** [www.qorvo.com](http://www.qorvo.com)

### Important Notice

The information contained herein is believed to be reliable. RFMD makes no warranties regarding the information contained herein. RFMD assumes no responsibility or liability whatsoever for any of the information contained herein. RFMD assumes no responsibility or liability whatsoever for the use of the information contained herein. The information contained herein is provided "AS IS, WHERE IS" and with all faults, and the entire risk associated with such information is entirely with the user. All information contained herein is subject to change without notice. Customers should obtain and verify the latest relevant information before placing orders for RFMD products. The information contained herein or any use of such information does not grant, explicitly or implicitly, to any party any patent rights, licenses, or any other intellectual property rights, whether with regard to such information itself or anything described by such information.

RFMD products are not warranted or authorized for use as critical components in medical, life-saving, or life-sustaining applications, or other applications where a failure would reasonably be expected to cause severe personal injury or death.

# Mouser Electronics

Authorized Distributor

Click to View Pricing, Inventory, Delivery & Lifecycle Information:

[Qorvo:](#)

[QPC6064SR](#) [QPC6064TR13](#) [QPC6064PCK401](#)