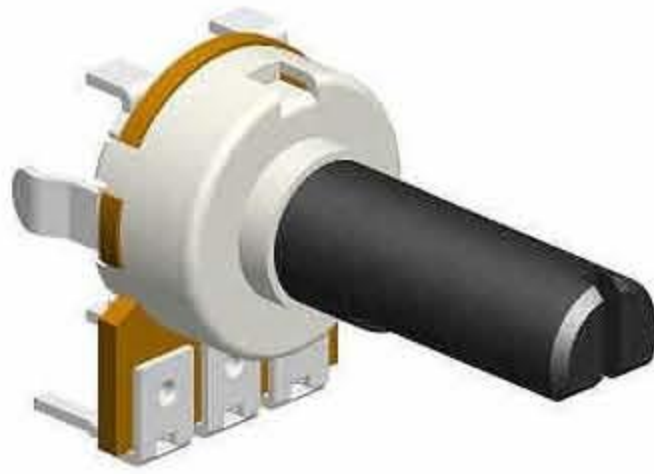


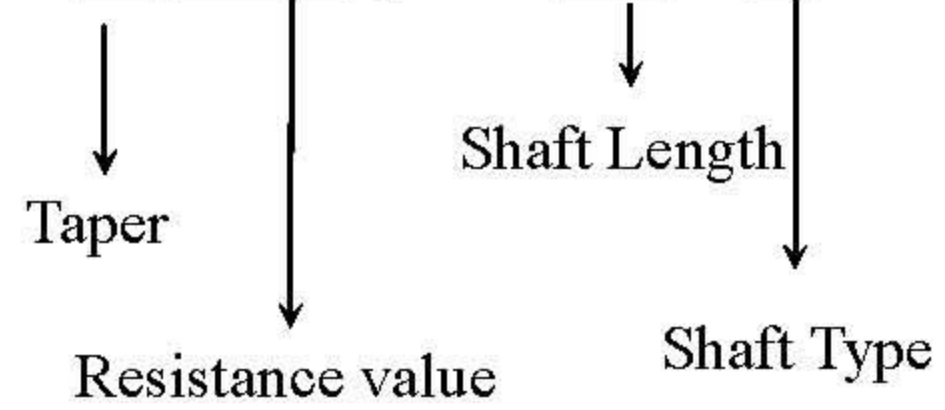
12mm Insulated Shaft Rotary Potentiometers

R1212N

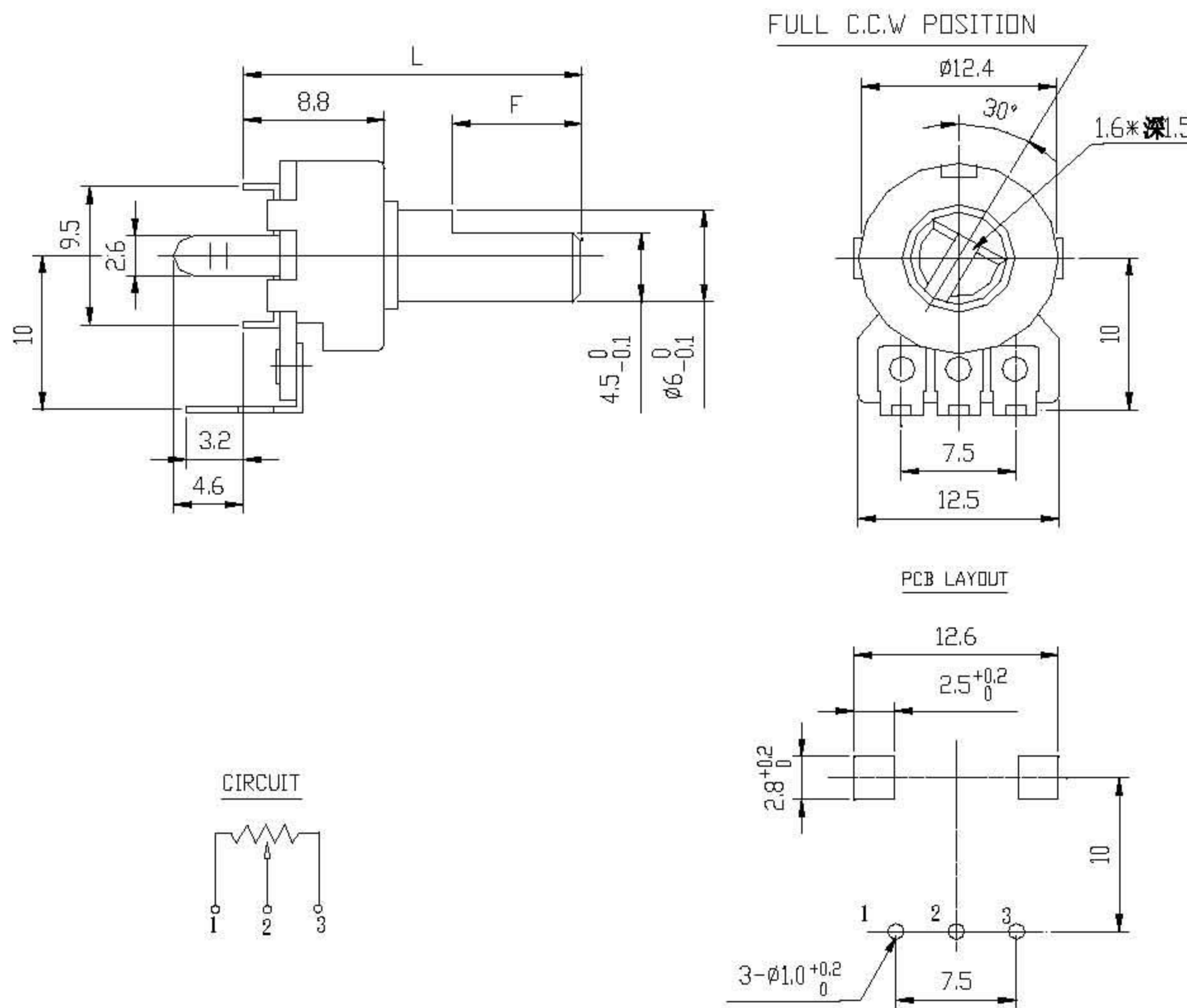


Part Number

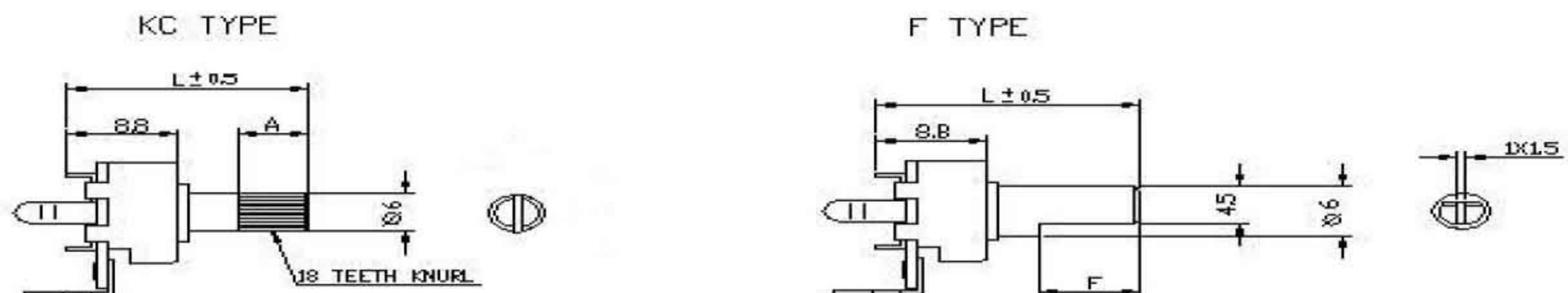
R1212N – B 50K , L- 20 F



Dimensions



Shaft Type



Vertical Shaft Dimensions and Style

KC	L	15	20	25	30	
	A	5	8	12	12	
F	L	15	17	20	25	30
	F	5	7	8	12	12

12mm Insulated Shaft Rotary Potentiometers

General

Operating temperature	- 1 0 °C ~ + 7 0 °C
Manual soldering	300°C Max 3sec

Electrical Characteristics

Total resistance	1K~2MΩ
Resistance tolerance	±20 % (more than 1MΩ±30%)
Resistance taper	A B C W
Sliding noise	Less than 47mV
Residual resistance	R > 10K : ≤ 20Ω R ≤ 10K : ≤ 10Ω
Insulation resistance	More than 50 MΩ at DC 500V
Rated power(W)	Linear (B) : 0.08W Other Than : 0.04W
Max. Operating voltage	Linear (B) : AC150V Other Than : AC100V
Withstand voltage	1 Minute at A C 250V

Mechanical Characteristics

Total rotational angle	300 °±10 °
Rotational torque	20~200 gf.cm
Shaft push-pull strength	7Kgf. Max.
Rotational stopper strength	5Kgf.cm Max
Rotational life	15,000 Cycles