

## General Specifications

Motor Structure: Capacitor-Run Induction Motor  
 Motor Protection: Thermal Protection  
 Insulation Resistance:  
 100M Ω or over with a DC500V Megger  
 Dielectric Withstand Voltage: AC 1800V 3s  
 Allowable Ambient Temperature Range:  
 -10°C ~ +70°C (Operating)  
 -40°C ~ +70°C (Storage)  
 (non-condensing environment)

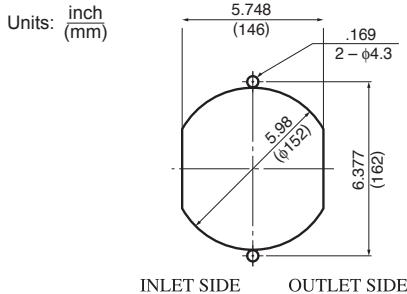
## Expected Life

Failure Rate: 10%  
 25°C 100,000 Hours

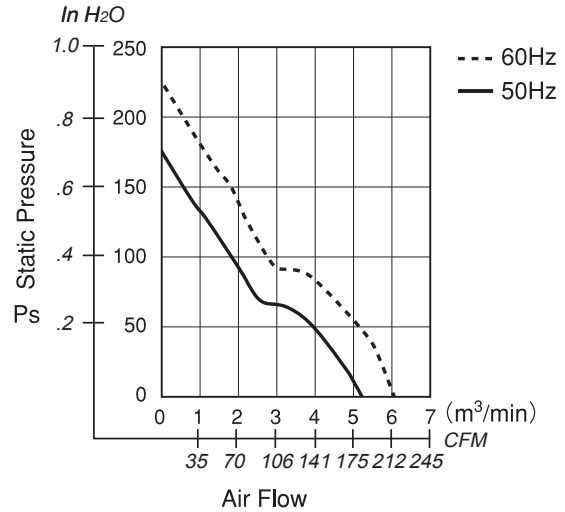
## Material

Casing : Aluminum (Black Painting)  
 Impeller : Plastic (Black) UL94V-0  
 Bearing : Ball Bearing  
 Lead Wire : SPT-1 2X0.824mm<sup>2</sup> AWG18  
 or Terminal : Faston #110 or equivalent

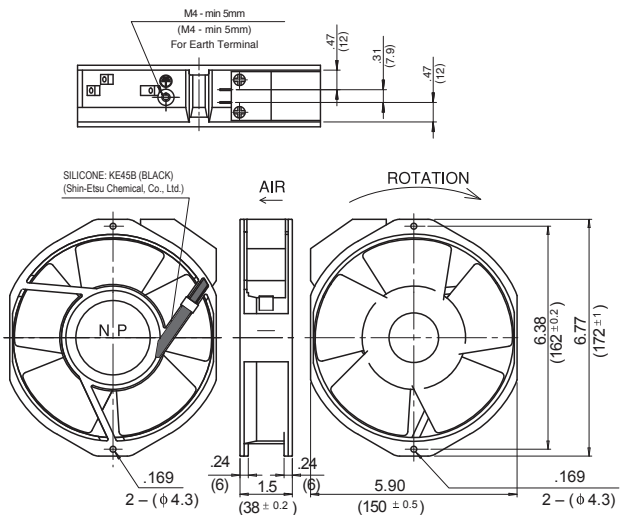
## Panel Cut-Outs



## Characteristic Curves



## Outline



## Specifications

MODEL	LEGACY P/N	Rated Voltage	Frequency	Starting Voltage	Current	Input Power	Speed	Max. Air Flow		Max. Static Pressure		Noise	Mass
		(V)	(Hz)	(V)	(A) <sup>*1</sup>	(W)	(min <sup>-1</sup> ) <sup>*2</sup>	CFM <sup>*1</sup>	(m³/min) <sup>*2</sup>	in H <sub>2</sub> O	(Pa) <sup>*2</sup>	(dB) <sup>*2</sup>	(g)
** 15038PB-A0L-GP-00	5915PC-10T-B30-AM0	100	50	65	0.470	37.0	2700	176.5	5.00	0.628	157.0	52	850
		100	60	65	0.440	33.0	3200	211.8	6.00	0.863	215.8	56	850
15038PB-A1L-GP-00	5915PC-12T-B30-AM0	115	50	75	0.380	35.0	2700	176.5	5.00	0.628	157.0	52	850
		115	60	75	0.360	32.0	3200	211.8	6.00	0.863	215.8	56	850
** 15038PB-B0L-GP-00	5915PC-20T-B30-AM0	200	50	130	0.230	34.0	2700	176.5	5.00	0.628	157.0	52	850
		200	60	130	0.210	33.0	3200	211.8	6.00	0.863	215.8	56	850
** 15038PB-B2L-GP-00	5915PC-22T-B30-AM0	220	50	145	0.210	40.0	2700	176.5	5.00	0.628	157.0	52	850
		220	60	145	0.180	38.0	3200	211.8	6.00	0.863	215.8	56	850
15038PB-B3L-GP-00	5915PC-23T-B30-AM0	230	50	150	0.190	35.0	2700	176.5	5.00	0.628	157.0	52	850
		230	60	150	0.180	35.0	3200	211.8	6.00	0.863	215.8	56	850
** 15038PB-B4L-GP-00	5915PC-24T-B30-AM0	240	50	155	0.180	34.0	2700	176.5	5.00	0.628	157.0	52	850
		240	60	155	0.170	34.0	3200	211.8	6.00	0.863	215.8	56	850

Rotation: Counterclockwise      Airflow Outlet: Air Out Over Struts  
 \*\* Contact NMB for Availability

\*1: Maximum Values in Free Air  
 \*2: Average Values in Free Air  
 \*3: Minimum Values in Free Air

# Mouser Electronics

Authorized Distributor

Click to View Pricing, Inventory, Delivery & Lifecycle Information:

[NMB Technologies:](#)

[15038PB-A0L-GP-00](#) [15038PB-B3L-GP-00](#) [15038PB-B2L-GP-00](#) [15038PB-A1L-GP-00](#) [15038PB-B4L-GP-00](#)